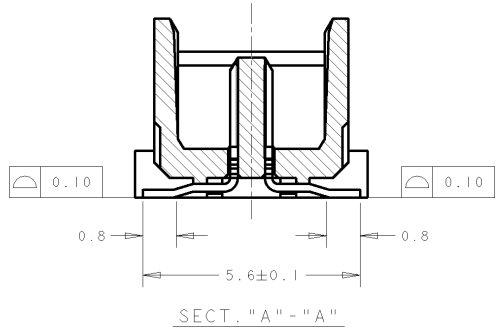
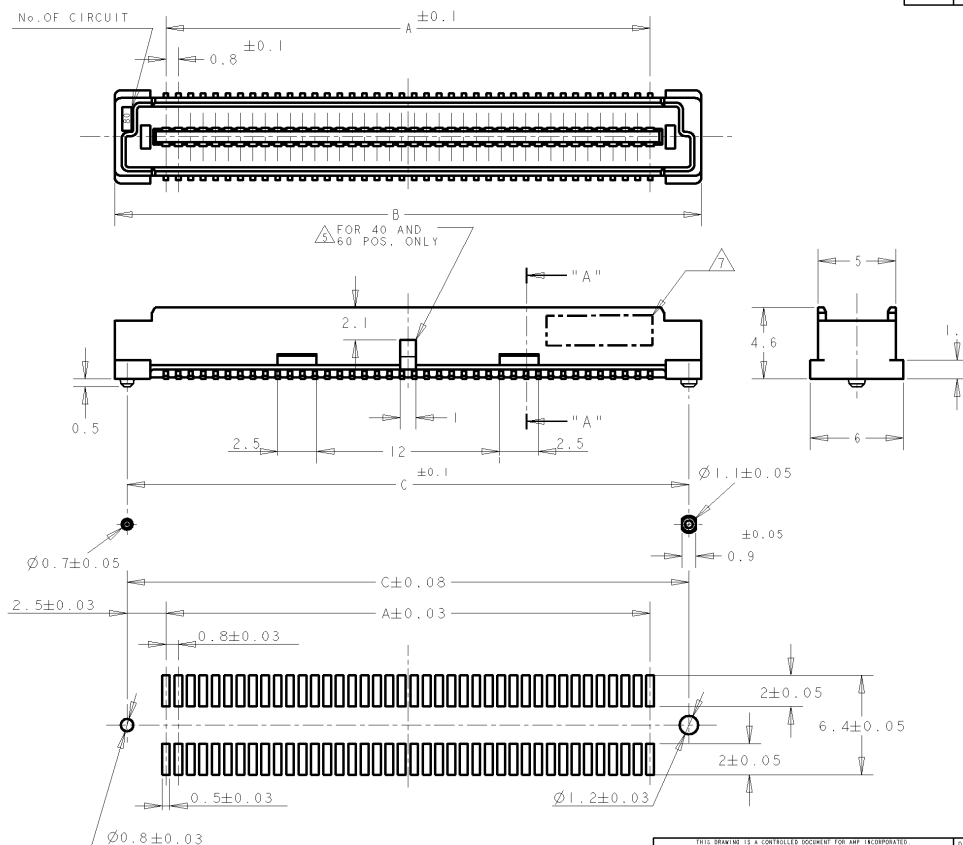


THIS DRAWING IS UNPUBLISHED. RELEASED FOR PUBLICATION
 COPYRIGHT 19 BY AMP INCORPORATED. ALL RIGHTS RESERVED.

LOC	DIST	REVISIONS			
F	LTR	DESCRIPTION	DATE	OWN	APVD
1	A1	REVISED PER ECR-07-030417	17DEC2007	SYJ	LSF



- NOTES:
- △ MATERIAL: HOUSING: L.C.P. (HIGH TEMP THERMO PLASTIC)
UL 94V-0, NATURAL.
CONTACT: BRASS.
 - △ FINISH: UNDERPLATE: 0.0013 MIN NICKEL ALL OVER.
ENGAGEMENT AREA: 0.0002 MIN GOLD.
SOLDERING AREA: 0.002 MIN MATTE-TIN.
 - 3. POSITION SERIES: SEE TABLE.
 - 4. CONN STACK HEIGHT COMBINE OF PLUG "Y" H VS REC "X" H.
STACK HEIGHT = Y + X - 5
 - △ CUTOUT FEATURE AVAILABLE ONLY ON P/N -1 (40P)
AND -2 (60P).
 - △ FINISH: UNDERPLATE: 0.0013 MIN NICKEL ALL OVER.
ENGAGEMENT AREA: 0.00038 MIN GOLD.
SOLDERING AREA: 0.002 MIN MATTE-TIN.
 - △ DATECODE MARKING.

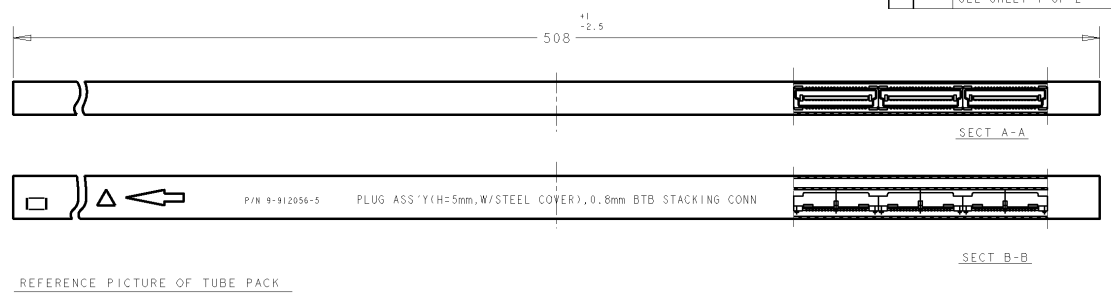
P/N SEE SHEET 2 OF 2.

RECOMMENDED P.C. BOARD LAYOUT

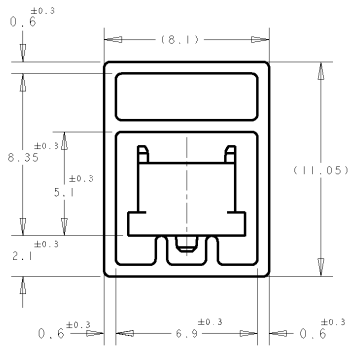
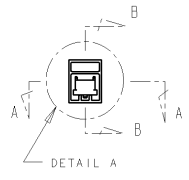
<small>THIS DRAWING IS A CONTROLLED DOCUMENT FOR AMP INCORPORATED IT IS SUBJECT TO CHANGE AND THE ORIGINAL DRAWING OR ORGANIZATION SHOULD BE CONTACTED FOR THE LATEST REVISION.</small>		DWN 30AUG04 FLORENCE TAN CHK ERIC TNG APVD SEI FONG PRODUCT SPEC 108-5390 APPLICATION SPEC 114-5254 WEIGHT - CUSTOMER DRAWING	Tyco Electronics Tyco Electronics Corporation Singapore NAME PLUG ASSEMBLY 5H TYPE (0.5 BOSS LENGTH) FOR FH 0.8mm PITCH B-T-B CONNECTOR SIZE A3 CAGE CODE 00779 DRAWING NO 5177984 SCALE 4:1 SHEET 1 OF 2 REV A1
DIMENSIONS: mm 	TOLERANCES UNLESS OTHERWISE SPECIFIED: 0 PLC ± 1 PLC ±0.30 2 PLC ±0.25 3 PLC ±0.20 4 PLC ± ANGLES ±°	MATERIAL △ SEE TABLE P/N	

THIS DRAWING IS UNPUBLISHED. RELEASED FOR PUBLICATION BY AMP INCORPORATED. ALL RIGHTS RESERVED.

LOC	DIST	REVISIONS			
F	LTR	DESCRIPTION	DATE	OWN	APVD
DI	-	- SEE SHEET 1 OF 2			



REFERENCE PICTURE OF TUBE PACK



DETAIL A

FINISH	QTY/TUBE	C				B				A				POS.	CONN	P/N	
		5	6	7	9	5	6	7	9	5	6	7	9				
15Au-Sn △6	5	84.2	85.8	79.2	200	3-	-	0									
	6	76.2	77.8	71.2	180	2-	-	9									
	6	68.2	69.8	63.2	160	2-	-	8									
	7	60.2	61.8	55.2	140	2-	-	6									
	9	52.2	53.8	47.2	120	2-	-	5									
	10	44.2	45.8	39.2	100	2-	-	4									
	12	36.2	37.8	31.2	80	2-	-	3									
08Au-Sn △2	16	28.2	29.8	23.2	60	2-	-	2									
	22	20.2	21.8	15.2	40	2-	-	1									
	5	84.2	85.8	79.2	200	1-	-	0									
	6	76.2	77.8	71.2	180			-	9								
	6	68.2	69.8	63.2	160			-	8								
	7	60.2	61.8	55.2	140			-	6								
	9	52.2	53.8	47.2	120			-	5								
10	44.2	45.8	39.2	100			-	4									
12	36.2	37.8	31.2	80			-	3									
16	28.2	29.8	23.2	60			-	2									
22	20.2	21.8	15.2	40			-	1									

<small>THIS DRAWING IS A CONTROLLED DOCUMENT FOR AMP INCORPORATED. IT IS SUBJECT TO CHANGE AND THE CONTROLLING ENGINEERING ORGANIZATION SHOULD BE CONTACTED FOR THE LATEST REVISION.</small>		DWN: 30AUG04 FLORENCE TAN ERIC TNG SE LFONG PRODUCT SPEC: 108-5390 APPLICATION SPEC: 114-5254 WEIGHT: - MATERIAL: △ FINISH: SEE TABLE P/N	Tyco Electronics Corporation Singapore NAME: PLUG ASSEMBLY 5H TYPE (0.5 BOSS LENGTH) FOR FH 0.8mm PITCH B-T-B CONNECTOR SIZE: A3 CAGE CODE: 00779 DRAWING NO: 5177984 SCALE: - SHEET 2 OF 2 REV A1
--	--	---	--