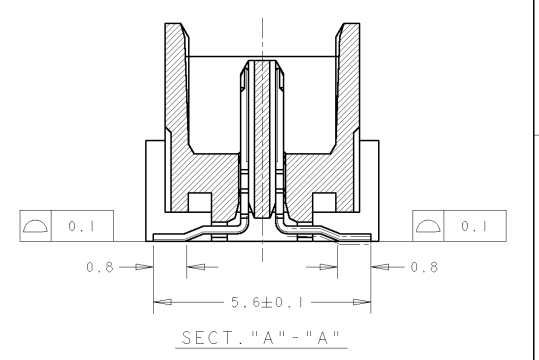
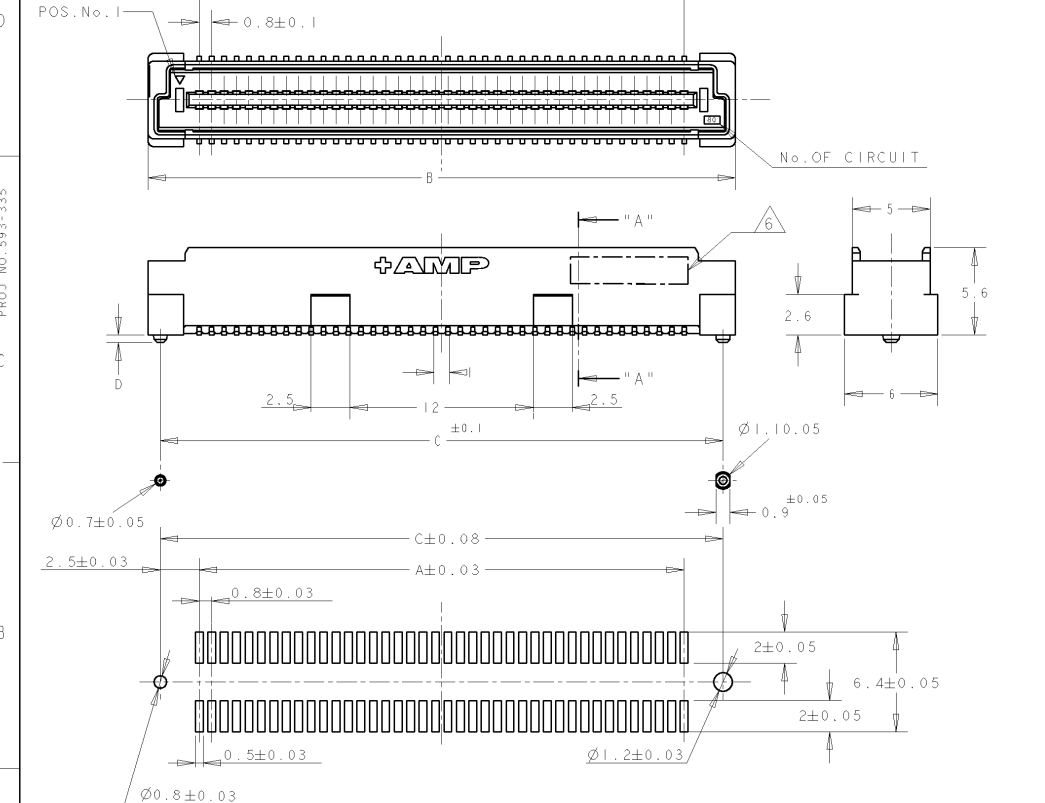


LOC	DIST	REVISIONS			
P	LTR	DESCRIPTION	DATE	DWN	APVD
B1		REVISED PER ECO-11-005139	19MAR11	RK	HMR



- NOTES:
- 1. MATERIAL: HOUSING: L.C.P (HIGH TEMP THERMO PLASTIC) UL 94V-0, NATURAL. CONTACT: BRASS.
 - 2. FINISH: CONTACT AREA: 0.0002 MIN GOLD ON 0.0013 MIN ALL OVER NICKEL. SOLDERING AREA: 0.002 MIN MATTE-TIN.
 - 3. POSITION SERIES: SEE TABLE.
 - 4. CONN STACK HEIGHT COMBINE OF PLUG "Y" H VS REC "X" H. STACK HEIGHT = Y + X - 5.
 - 5. OBSOLETE PARTS: OBSOLETE CIS STREAMING PER D.RENAUD/D.SINISI.
 - 6. DATE CODE MARKING

P/N SEE SHEET 2 OF 2.

DIMENSIONS: mm		TOLERANCES UNLESS OTHERWISE SPECIFIED:		DWN 30AUG04 FLORENCE TAN		TE Connectivity PLUG ASSEMBLY 6H TYPE (0.5 and 0.8 BOSS LENGTH) FOR FH 0.8mm PITCH B-T-B CONNECTOR	
		0 PLC ± 1 PLC ±0.30 2 PLC ±0.25 3 PLC ±0.20 4 PLC ± ANGLES ±°		CHK ERIC TNG APVD SF LEONG PRODUCT SPEC 108-5390 APPLICATION SPEC 114-5254 WEIGHT -			
MATERIAL		FINISH		CUSTOMER DRAWING		SCALE 4:1 SHEET 1 of 2 REV B1	

4

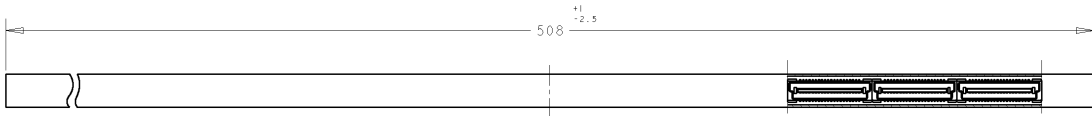
3

2

1

THIS DRAWING IS UNPUBLISHED. RELEASED FOR PUBLICATION .19
 BY - ALL RIGHTS RESERVED.

LOC	DIST	REVISIONS			
P	LT/R	DESCRIPTION	DATE	DWN	APVD
DY	-	- SEE SHEET 1 OF 2	-	-	-

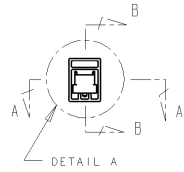


SECT A-A

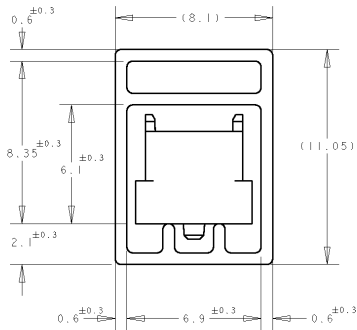


REFERENCE PICTURE OF TUBE PACK

SECT B-B



DETAIL A



DETAIL "B"
(SCALE 5-1)

5	12	0.8	36.2	37.0	31.2	80	3	3
5	10	0.8	28.2	29.0	23.2	60	3	2
5	22	0.8	20.2	21.0	15.2	40	3	1
	5	0.5	84.2	85.8	79.2	200	1-	-0
	6		76.2	77.8	71.2	180		-9
	6		68.2	69.8	63.2	160		-8
	7		60.2	61.8	55.2	140		-6
	9		52.2	53.8	47.2	120		-5
	10		44.2	45.8	39.2	100		-4
	12		36.2	37.8	31.2	80		-3
	16		28.2	29.8	23.2	60		-2
	22	0.5	20.2	21.8	15.2	40		5179029-1

QTY/ TUBE	D	C	B	A	POS.	CONN P/N
--------------	---	---	---	---	------	----------

DWN 30AUG04 FLORENCE TAN		TE Connectivity	
CHK ERIC TING		TE Connectivity	
APVD SF LEONG		NAME	
PRODUCT SPEC 108-5390		PLUG ASSEMBLY 6H TYPE (0.5 and 0.8 BOSS LENGTH) FOR FH 0.8mm PITCH B-T-B CONNECTOR	
APPLICATION SPEC 114-5254		SIZE A3	CAGE CODE 00779
MATERIAL		DRAWING NO. 5179029	
FINISH		SCALE - SHEET 2 of 2 REV B1	
CUSTOMER DRAWING			