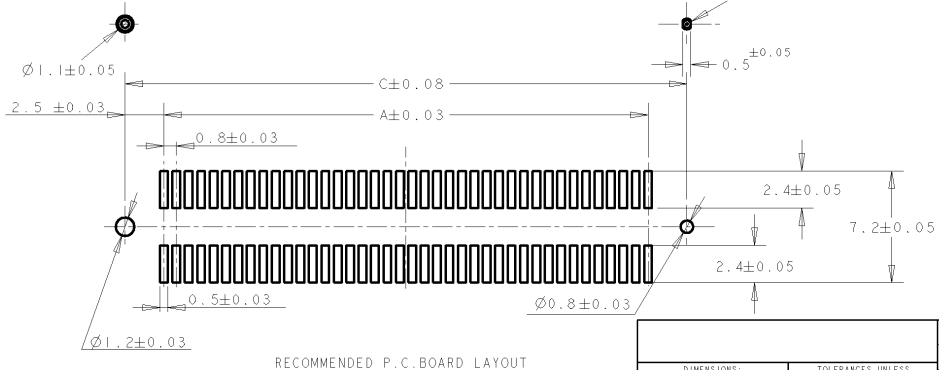
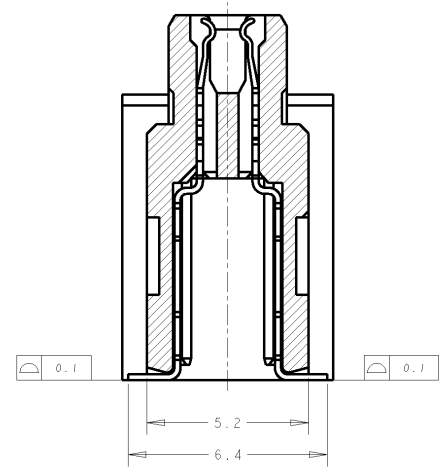
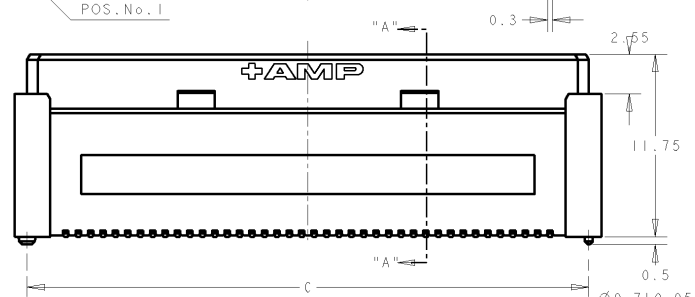
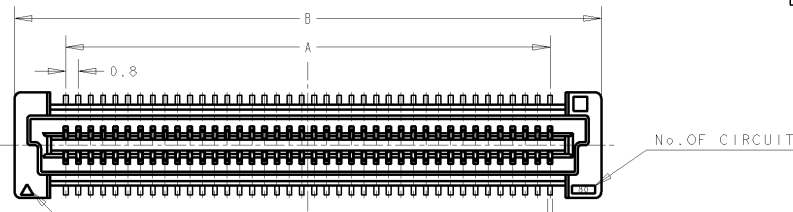


THIS DRAWING IS UNPUBLISHED. RELEASED FOR PUBLICATION .19  
 BY - ALL RIGHTS RESERVED.

REVISIONS				
F	LTR	DESCRIPTION	DATE	OWN APVD
H3		REVISED PER ECO-11-005139	19MAR11	RK HMR



- NOTES:
- △ MATERIAL: HOUSING: L.C.P.(HIGH TEMP THERMO PLASTIC)  
UL 94V-0, NATURAL.  
CONTACT: BERYLLIUM COPPER.
  - △ FINISH: CONTACT AREA: 0.0002 MIN GOLD ON  
0.0013 MIN ALL OVER NICKEL.  
SOLDERING AREA: 0.001 MIN TIN-LEAD.
  - 3. POSITION SERIES: SEE TABLE. (SHEET 2)
  - 4. CONN STACK HEIGHT COMBINE OF PLUG "Y" VS REC "X".  
STACK HEIGHT = Y + X - 5
  - △ THIS ITEM IS PRELIMINARY.
  - 6. PRODUCT SPEC : 108-5390
  - △ OBSOLETE PARTS: OBSOLETE CIS STREAMLINING PER D.RENAUD/D.SINISI

RECOMMENDED P.C. BOARD LAYOUT

DIMENSIONS: mm 		TOLERANCES UNLESS OTHERWISE SPECIFIED: 0 PLC ± 1 PLC ±0.20 2 PLC ±0.25 3 PLC ±0.30 4 PLC ± ANGLES ±° FINISH		DWN T. KUSUHARA CHK I. ENOMOTO APVD ERIC TNG PRODUCT SPEC 108-5390 APPLICATION SPEC WEIGHT CUSTOMER DRAWING	24NOV93 24NOV93 NAME RECEPTACLE ASSEMBLY 13H TYPE FOR FH 0.8mm PITCH B-T-B CONNECTOR SIZE A3 CAGE CODE 00779 DRAWING NO C-179010 SCALE 4:1 SHEET 1 OF 2 REV H3
-----------------------	--	--	--	---	--

4

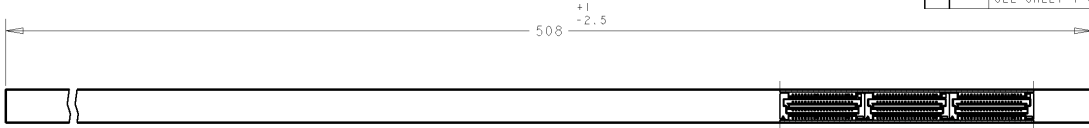
3

2

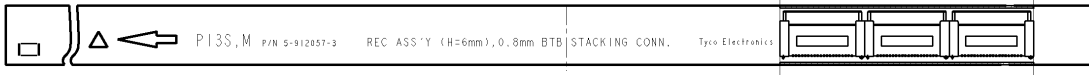
1

THIS DRAWING IS UNPUBLISHED. RELEASED FOR PUBLICATION . . . 19 . . .  
 BY - ALL RIGHTS RESERVED.

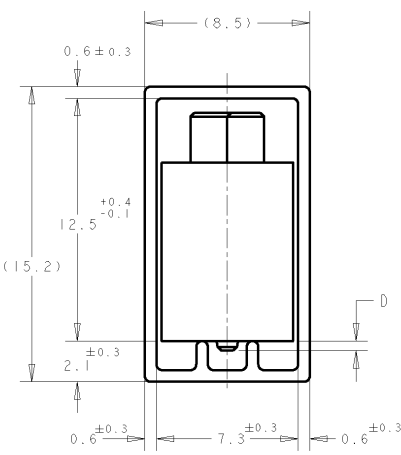
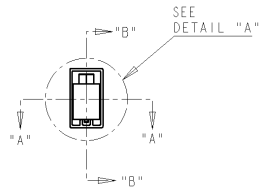
LOC	DIST	REVISIONS			
F	LTR	DESCRIPTION	DATE	OWN	APVD
1		SEE SHEET 1 OF 2	-	-	-



SECT "A" - "A"



SECT "B" - "B"



DETAIL "A"  
(SCALE 5-1)

	D	C	B	A	POS.	PART No.
	84.20	85.80	79.20	200	6-	-0
	76.20	77.80	71.20	180	5-	-9
	68.20	69.80	63.20	160	5-	-8
	60.20	61.80	55.20	140	5-	-6
	52.20	53.80	47.20	120	5-	-5
	44.20	45.80	39.20	100	5-	-4
	36.20	37.80	31.20	80	5-	-3
	28.20	29.80	23.20	60	5-	-2
	20.20	21.80	15.20	40	5-	-1
0.5	20.20	21.80	15.20	40		
<b>OBsolete</b>	84.20	85.80	79.20	200		
<b>OBsolete</b>	76.20	77.80	71.20	180		
<b>OBsolete</b>	68.20	69.80	63.20	160		
	60.20	61.80	55.20	140		
<b>OBsolete</b>	52.20	53.80	47.20	120		
	44.20	45.80	39.20	100		
	36.20	37.80	31.20	80		
<b>OBsolete</b>	28.20	29.80	23.20	60		
0.8	20.20	21.80	15.20	40		179010-1

- OBsolete**
- OBsolete**
- OBsolete**
- OBsolete**
- OBsolete**
- OBsolete**

DIMENSIONS: mm		TOLERANCES UNLESS OTHERWISE SPECIFIED: 0 PLC ± 1 PLC ±0.20 2 PLC ±0.25 3 PLC ±0.30 4 PLC ± ANGLES ±°		DWN T. KUSUHARA 24NOV93 CHK I. ENOMOTO 24NOV94 APVD ERIC TING PRODUCT SPEC APPLICATION SPEC WEIGHT CUSTOMER DRAWING		<b>STE</b> TE Connectivity NAME RECEPTACLE ASSEMBLY 13H TYPE FOR FH 0.8mm PITCH B-T-B CONNECTOR SIZE A3 CAGE CODE 00779 DRAWING NO C-179010 SCALE 4:1 SHEET 2 OF 2 REV H3	
-------------------	--	--	--	---	--	--	--

AMP 1470-19 REV 09M194