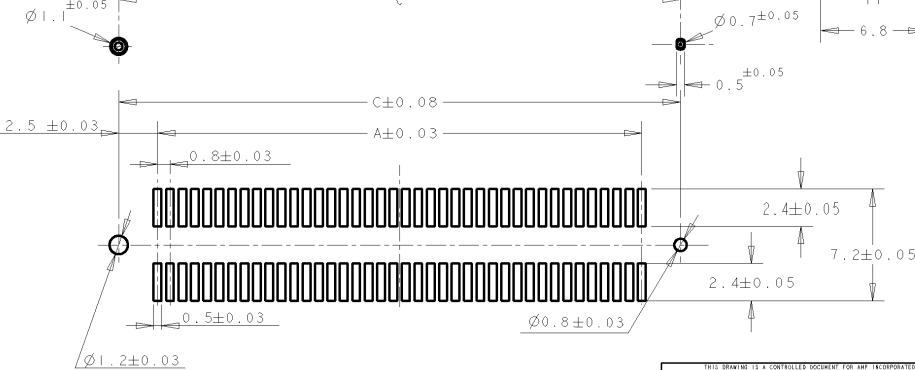
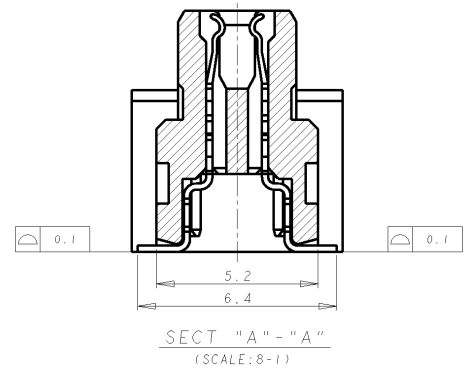
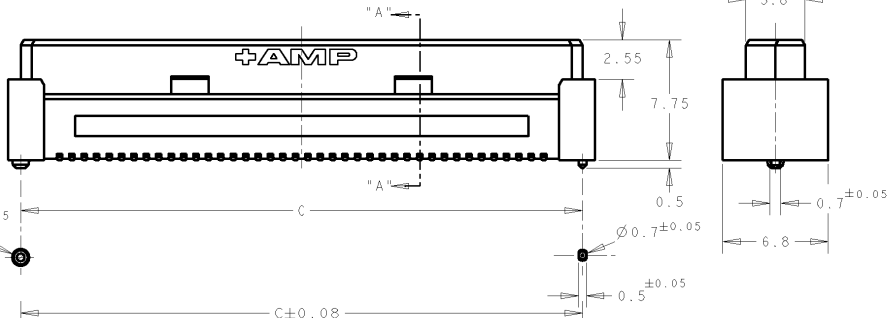
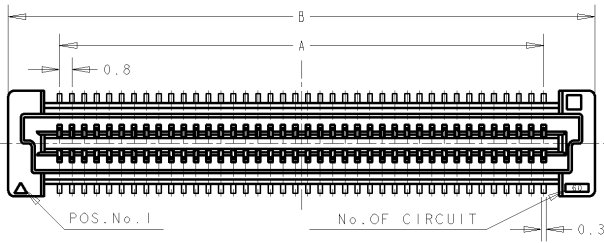


THIS DRAWING IS UNPUBLISHED. RELEASED FOR PUBLICATION
 COPYRIGHT 19 BY AMP INCORPORATED. ALL RIGHTS RESERVED.

LOC		DIST		REVISIONS			
F	LTR	DESCRIPTION	DATE	OWN	APVD		
01		REVISED PER ECR-07-027079	13NOV07	LWY	SYJ		



- NOTES:
- MATERIAL: HOUSING: L.C.P. (HIGH TEMP. THERMOPLASTIC) UL 94V-0, NATURAL. CONTACT: BERYLLIUM COPPER.
 - FINISH: CONTACT AREA: 0.0002 MIN GOLD ON 0.0013 MIN ALL OVER NICKEL. SOLDERING AREA: 0.002 MIN MATTE-TIN.
 - POSITION SERIES: SEE TABLE. (SHEET 2)
 - CONN STACK HEIGHT COMBINE OF PLUG "Y" H VS REC "X" H. STACK HEIGHT = Y + X - 5

RECOMMENDED P.C. BOARD LAYOUT

<small>THIS DRAWING IS A CONTROLLED DOCUMENT FOR AMP INCORPORATED IT IS SUBJECT TO CHANGE AND THE CONTROLING ENGINEERING ORGANIZATION SHOULD BE CONTACTED FOR THE LATEST REVISION.</small>		DWN 14SLP04 FLORENCE TAN CHK ERIC TNG APVD SEI FONG	Tyco Electronics Corporation Singapore	
DIMENSIONS: mm		TOLERANCES UNLESS OTHERWISE SPECIFIED: 0 PLC ± 1 PLC ±0.30 2 PLC ±0.25 3 PLC ±0.20 4 PLC ± ANGLES ±°		NAME RCEPTACLE ASSEMBLY 9H TYPE FOR FH 0.8mm PITCH B-T-B CONNECTOR
MATERIAL 1		FINISH 2		PRODUCT SPEC 108-5390 APPLICATION SPEC 114-5254 WEIGHT -
		SIZE A3	CAGE CODE 00779	DRAWING NO 5179009
		CUSTOMER DRAWING		SCALE 4:1 SHEET 1 OF 2 REV 01

AMP 14T0-19 REV 09MAT94
 P10/ENGINEER DRAWING

4

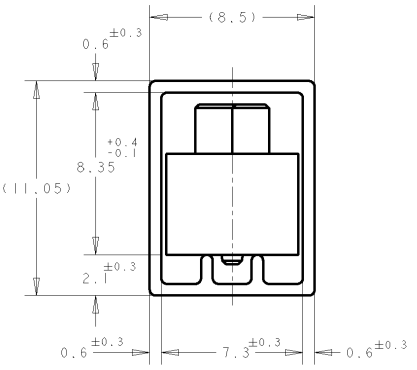
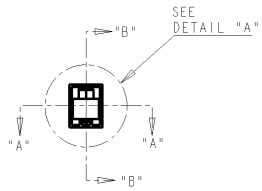
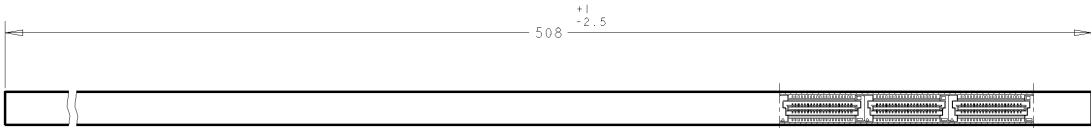
3

2

1

THIS DRAWING IS UNPUBLISHED. RELEASED FOR PUBLICATION
 BY AMP INCORPORATED. ALL RIGHTS RESERVED.

LOC	DIST	REVISIONS			
F	LTR	DESCRIPTION	DATE	OWN	APVD
DY	-	- SEE SHEET 1 OF 2	-	-	-



DETAIL "A"
(SCALE 5-1)

84.20	85.80	79.20	200	6-	-0
76.20	77.80	71.20	180	5-	-9
68.20	69.80	63.20	160	5-	-8
60.20	61.80	55.20	140	5-	-6
52.20	53.80	47.20	120	5-	-5
44.20	45.80	39.20	100	5-	-4
36.20	37.80	31.20	80	5-	-3
28.20	29.80	23.20	60	5-	-2
20.20	21.80	15.20	40	5-	-1
C	B	A	POS.	PART No.	

<small>THIS DRAWING IS A CONTROLLED DOCUMENT FOR AMP INCORPORATED IT IS SUBJECT TO CHANGE AND THE CONFORMING MANUFACTURING ORGANIZATION SHOULD BE CONTACTED FOR THE LATEST REVISION.</small>		DWN 14SLP04 FLORENCE TAN CHK ERIC TNG APVD SE LEOHNG PRODUCT SPEC 108-5390 APPLICATION SPEC 114-5254 WEIGHT - CUSTOMER DRAWING	Tyco Electronics Corporation Singapore NAME RECEPTACLE ASSEMBLY 9H TYPE FOR FH 0.8mm PITCH B-T-B CONNECTOR SIZE A3 CAGE CODE 00779 DRAWING NO C-5179009 SCALE 4:1 SHEET 2 OF 2 REV 01
--	--	---	--

AMP 1470-19 REV 09MAY94