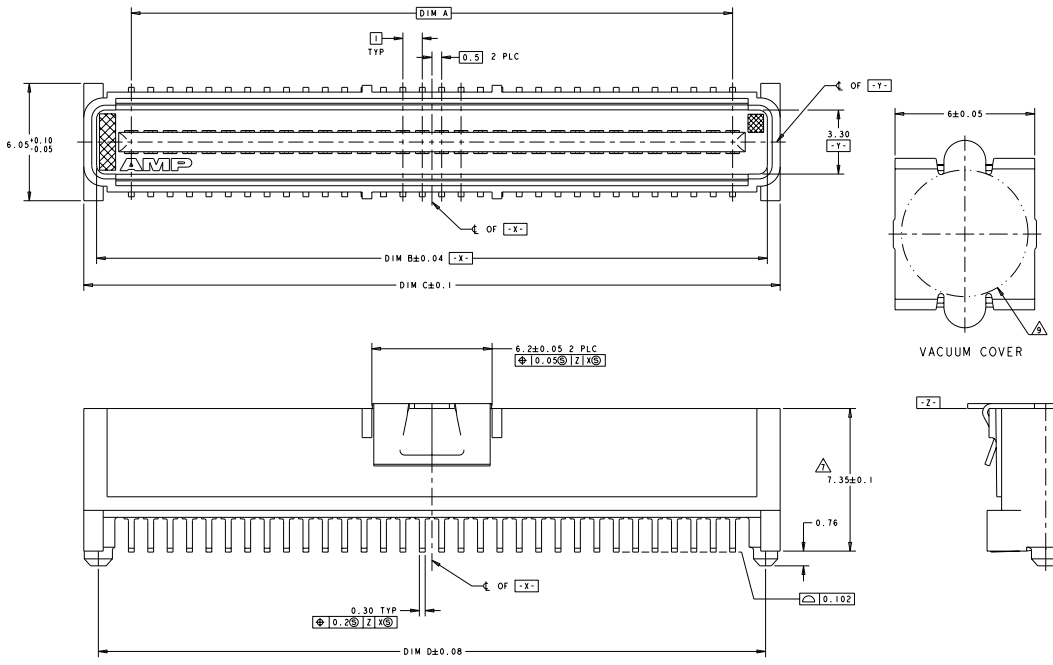
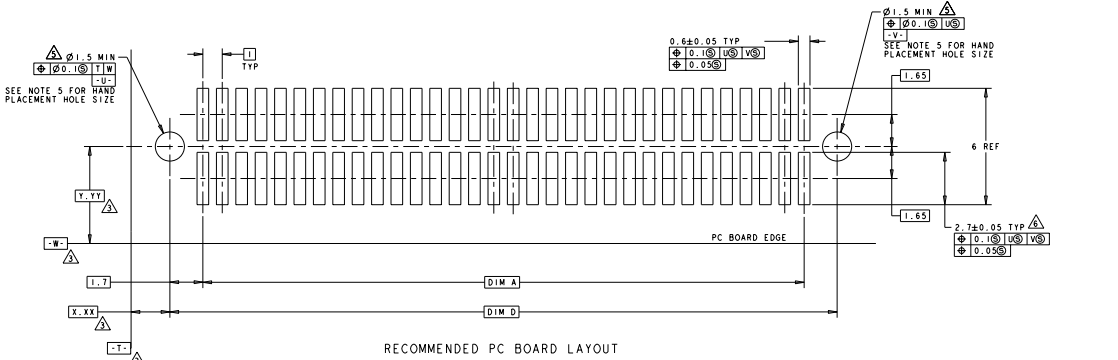
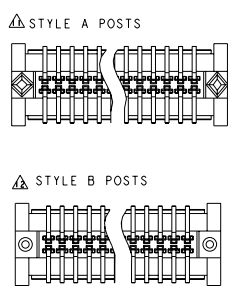
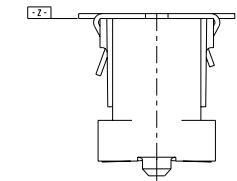


REV	DESCRIPTION	DATE	BY	CHK	APP
0	REV PER EC 0512-0235-04	11/02/04	BC	BC	
A	REV PER ECO-94-025515	12/04/04	BC	BC	
B	REVISED PER ECO-98-026945	04/04/00	DM	DM	
B1	REV PER ECO-99-018297	12/04/00	AEG	DM	



- 1 HOUSING MATERIAL: LIQUID CRYSTAL POLYMER COLOR: BLACK.
CONTACT MATERIAL: PHOSPHOR BRONZE.
- CONTACT FINISH: NICKEL UNDERPLATE ALL OVER. MATING SURFACES PLATED TO MEET PLI PERFORMANCE REQUIREMENTS OF INDUSTRY SPECIFICATION EIA-700AAB. SOLDER TAILS PLATED TIN.
- DATUM LOCATIONS AND BASIC DIMENSIONS TO BE ESTABLISHED BY THE CUSTOMER. CONSULT AMP ENGINEERING WHEN PLACING MULTIPLE CONNECTORS ON A PC BOARD.
- 4 PACKAGED IN TAPE ON REEL PER EIA-481.
- 1.4 ± 0.05 DIAMETER HOLE WHEN PLACING BY HAND.
- SHORTER SOLDER LANDS MAY BE USED PER EIA 700AAB, HOWEVER 2.7 LENGTH ASSURES OPTIMUM SOLDER FILLET REGARDLESS OF MANUFACTURER OF CONNECTOR.
- REFERRED TO AS DIM N IN EIA 700AAB SPECIFICATION.
- 8 VACUUM COVER NOT SHOWN IN SOME VIEWS FOR CLARITY.
- 5.5 MIN DIAMETER TARGET AREA FOR VACUUM PICK-UP.
- CONTACT FINISH: 0.00381 MINIMUM MATTE TIN PER ASTM B 545 ON SOLDER AREA; 0.00127 MINIMUM GOLD PER ASTM B 488 ON MATING AREA, BOTH OVER 0.00127 MINIMUM NICKEL PER SAE-AMS-DD-N-230 ON ENTIRE CONTACT.
- SQUARE AND DIAMOND SHAPED POSTS
- ROUND SHAPED POSTS



POST STYLE	FINISH	DIM D	DIM C	DIM B	DIM A	STACK HEIGHTS	POS	PART NUMBER
△	△	44.4	45.9	44.58	41	9.11, 14	84	3-5146898-2
△	△	34.4	35.9	34.58	31	9.11, 14	64	3-5146898-1
△	△	44.4	45.9	44.58	41	9.11, 14	84	2-5146898-2
△	△	34.4	35.9	34.58	31	9.11, 14	64	2-5146898-1
△	△	44.4	45.9	44.58	41	9.11, 14	84	1-5146898-2
△	△	34.4	35.9	34.58	31	9.11, 14	64	1-5146898-1
△	△	44.4	45.9	44.58	41	9.11, 14	84	5146898-2
△	△	34.4	35.9	34.58	31	9.11, 14	64	5146898-1

AMP 00778 ©-5146898
 CUSTOMER DRAWING

DATE 10-11-04
 DRAWN BY 1001
 CHECKED BY 1001
 APPROVED BY 1001

TECH ELECTRONICS CORPORATION
 Harrisburg, PA 17105-3600

PLUS ASSY. W/VACUUM COVER.
 1.0mm PHILTEE 1389 CONNECTOR