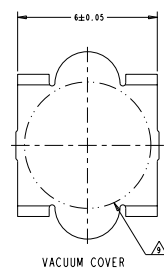
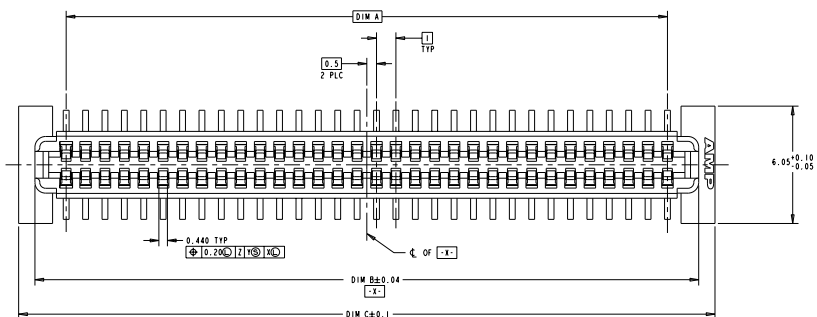
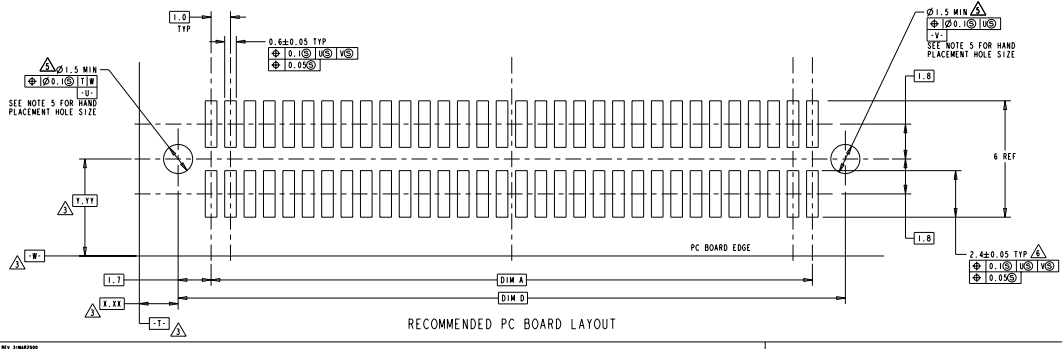
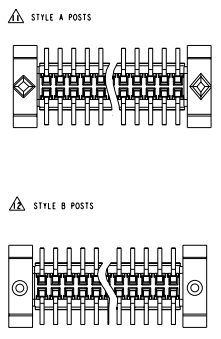
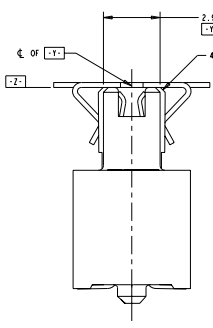
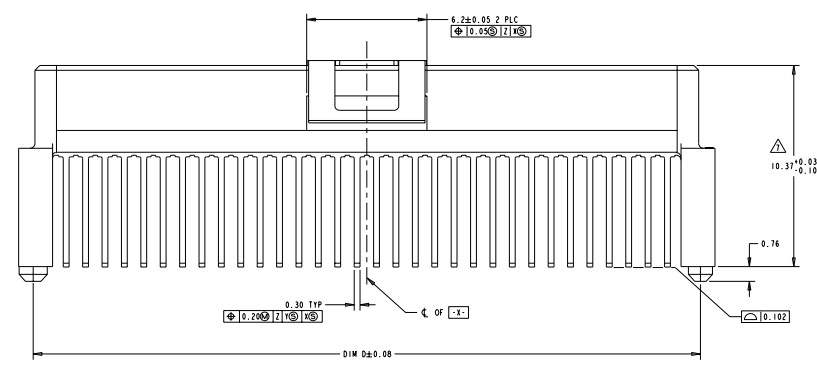


REV	DESCRIPTION	DATE	BY	APP
0	REV PER EC-02-0235-04	08/20/18	BC	RB
A	REV PER ECO-04-025515	07/09/19	BC	DB
B	REVISED PER ECO-08-008615	08/08/19	DB	DB
B1	REV PER ECO-09-018291	09/09/19	AEG	DB



- HOUSING MATERIAL: HIGH TEMPERATURE THERMOPLASTIC, COLOR: BLACK. CONTACT MATERIAL: PHOSPHOR BRONZE.
- CONTACT FINISH: NICKEL UNDERPLATE ALL OVER. MATING SURFACES PLATED TO MEET PL-1 PERFORMANCE REQUIREMENTS OF INDUSTRY SPECIFICATION EIA-700AAB. SOLDER TAILS PLATED TIN.
- DATUM LOCATIONS AND BASIC DIMENSIONS TO BE ESTABLISHED BY THE CUSTOMER. CONSULT AMP ENGINEERING WHEN PLACING MULTIPLE CONNECTORS ON A PC BOARD.
- PACKAGED IN TAPE ON REEL PER EIA-481.
- 1.42-0.05 DIAMETER HOLE WHEN PLACING BY HAND.
- SHORTER SOLDER LANDS MAY BE USED PER EIA 700AAB, HOWEVER 2.4 LENGTH ASSURES OPTIMUM SOLDER FILLET REGARDLESS OF MANUFACTURER OF CONNECTOR.
- REFERRED TO AS DIM H = 5.3060.1 IN EIA 700AAB SPECIFICATION.
- VACUUM COVER NOT SHOWN IN SOME VIEWS FOR CLARITY.
- 5.5 MIN DIAMETER TARGET AREA FOR VACUUM PICK-UP.
- CONTACT FINISH: 0.00281 MINIMUM MATTE TIN PER ASTM B 545 ON SOLDER AREA. 0.00127 MINIMUM GOLD PER ASTM B 488 ON MATING AREA. BOTH OVER 0.00127 MINIMUM NICKEL PER SAT. HANS-00-N-250 ON ENTIRE CONTACT.
- SQUARE AND DIAMOND SHAPED POSTS
- ROUND SHAPED POSTS



POST STYLE	FINISH	DIM A	DIM B	DIM C	DIM D	STACK HEIGHTS	POS	PART NUMBER
△	△	44.4	44.4	44.22	41	14.15	84	3-5146896-2
△	△	34.4	35.9	34.22	31	14.15	64	3-5146896-1
△	△	44.4	44.4	44.22	41	14.15	84	2-5146896-2
△	△	34.4	35.9	34.22	31	14.15	64	2-5146896-1
△	△	44.4	45.9	44.22	41	14.15	84	1-5146896-2
△	△	34.4	35.9	34.22	31	14.15	64	1-5146896-1
△	△	44.4	45.9	44.22	41	14.15	84	5146896-2
△	△	34.4	35.9	34.22	31	14.15	64	5146896-1

PFC ELECTRONICS CORPORATION
 1000 W. MARKET STREET, SUITE 100
 HARRISBURG, PA 17105-3600
 TEL: 717-651-1000 FAX: 717-651-1001
 WWW.PFC-ELECTRONICS.COM

RECEPTACLE ASSY. W/ VACUUM COVER, 1.0mm FH (IEEE 1386) CONNECTOR

PART NUMBER: 3-5146896-2
 CUSTOMER DRAWING: A 00778 ©-5146896