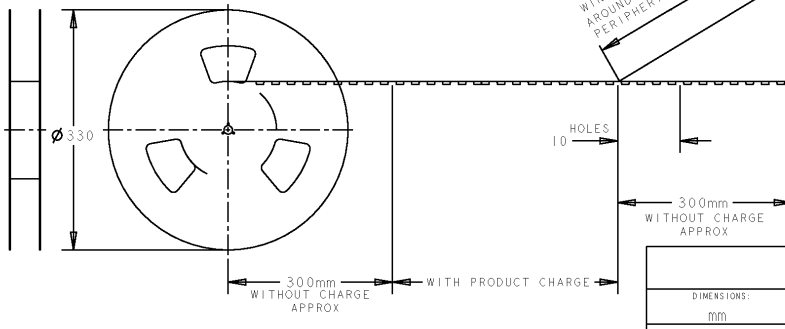
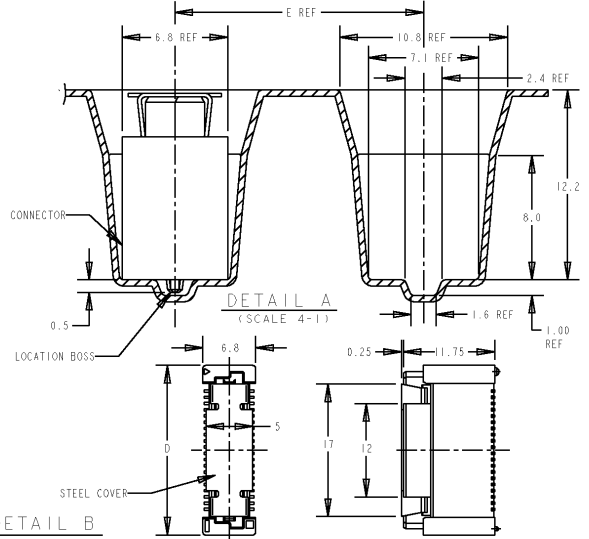
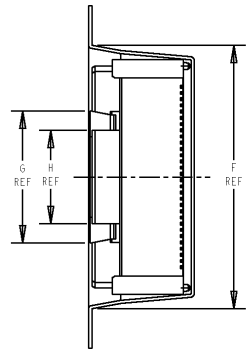
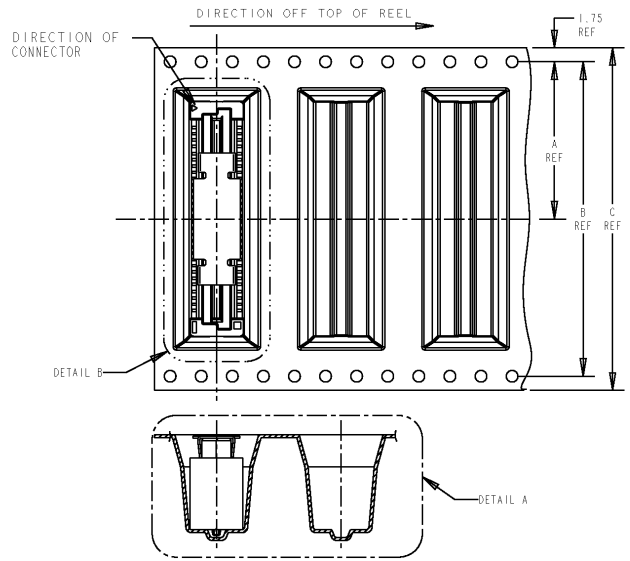


THIS DRAWING IS UNPUBLISHED. RELEASED FOR PUBLICATION .19
 BY - ALL RIGHTS RESERVED.
 COPYRIGHT 19

LOC	DIST	REVISIONS			
P	LT/R	DESCRIPTION	DATE	DWN	APVD
DY	-				
P		REVISED PER ECO-11-005139	19MAR11	RK	HMR



AVAILABLE	QTY	H	G	F	E	D	C	B	A	CONNECTOR P/N	POS	PART NO.
200	12	17	89.8	16	85.8	104	100.4	50.2	6	5-179010-0	200	1-5084616-0
200	12	17	81.8	16	77.8	104	100.4	50.2	5	5-179010-9	180	0-5084616-9
200	12	17	73.8	16	69.8	88	84.4	42.2	5	5-179010-8	160	0-5084616-8
200	12	17	65.8	16	61.8	88	84.4	42.2	6	5-179010-6	140	0-5084616-6
200	12	17	57.8	16	53.8	72	68.4	34.2	5	5-179010-5	120	0-5084616-5
200	12	17	49.8	16	45.8	72	68.4	34.2	4	5-179010-4	100	0-5084616-4
200	12	17	41.8	16	37.8	56	52.4	26.2	5	5-179010-3	80	0-5084616-3
200	12	17	33.8	16	29.8	44	40.4	20.2	2	5-179010-2	60	0-5084616-2
200	12	17	25.8	16	21.8	44	40.4	20.2	1	5-179010-1	40	0-5084616-1

DIMENSIONS: mm		TOLERANCES UNLESS OTHERWISE SPECIFIED:		DWN FLORENCE TAN		TE Connectivity	
0 PLC ±		1 PLC ±0.20		CHK ERIC TNG		RECEPTACLE ASS'Y 13H TYPE	
2 PLC ±0.25		3 PLC ±		APVD SF LEONG		(0.5 BOSS LENGTH)	
4 PLC ±		ANGLES ±		PRODUCT SPEC 108-5390		FOR FH 0.8mm B-T-B CONN. ON TAPING	
MATERIAL		FINISH		APPLICATION SPEC 114-5254		DRAWING NO	
				WEIGHT		A3 00779 C-5084616	
CUSTOMER DRAWING				SCALE 2:		SHEET 1 OF 1 REV P	

AMP 1470-19 REV 09MAT94