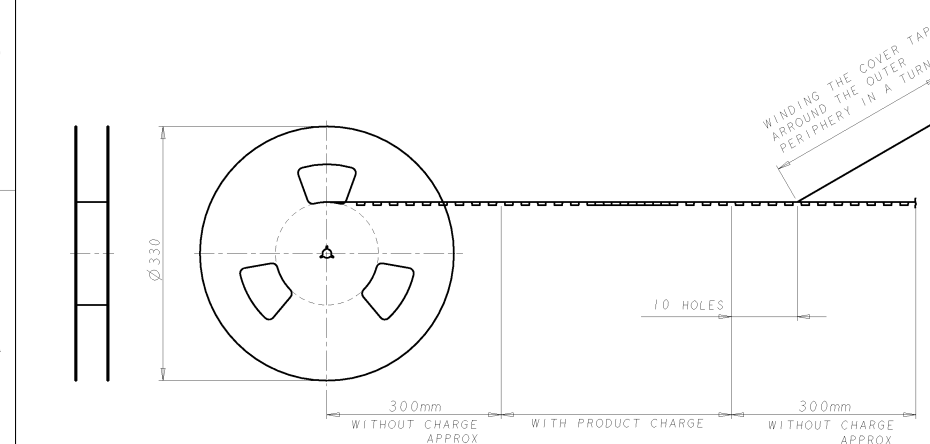


- NOTES:
- 1. MATERIAL: HOUSING: L.C.P. (HIGH TEMP THERMOPLASTIC) UL 94V-0, NATURAL. CONTACT: BERYLIUM COPPER.
 - 2. FINISH: CONTACT AREA: 0.0002 MIN GOLD ON 0.0013 MIN ALL OVER NICKEL. SOLDERING AREA: 0.002 MIN MATTE TIN.
 - 3. POSITION SERIES: SEE TABLE.
 - 4. CONN STACK HEIGHT COMBINE OF PLUG "Y" H VS REC "X" H. STACK HEIGHT = Y + X - 5
 - 5. FINISH: CONTACT AREA: 0.00038 MIN GOLD ON 0.0013 MIN ALL OVER NICKEL. SOLDERING AREA: 0.002 MIN MATTE TIN.



FINISH	QTY	DIMENSIONS (mm)					POS	CONN P/N	PART NO.
		F	E	D	C	B			
15Ag-Sn	700	85.8	104	100.4	50.2	200	2-	A	-0
		77.8	104	100.4	50.2	180	1-	A	-9
		70.1	88	84.4	42.2	160	1-	A	-8
	1000	61.8	88	84.4	42.2	140	1-	A	-6
		53.8	72	68.4	34.2	120	1-	A	-5
		45.8	72	68.4	34.2	100	1-	A	-4
08Ag-Sn	700	85.8	104	100.4	50.2	200	1-	A	-0
		77.8	104	100.4	50.2	180	1-	A	-9
		69.8	88	84.4	42.2	160	1-	A	-8
	1000	61.8	88	84.4	42.2	140	1-	A	-6
		53.8	72	68.4	34.2	120	1-	A	-5
		45.8	72	68.4	34.2	100	1-	A	-4

THIS DRAWING IS UNPUBLISHED. RELEASED FOR PUBLICATION BY AMP INCORPORATED. ALL RIGHTS RESERVED.

AMP 1471-9 REV 000430A

PRO-ENGINEER DRAWING

ENV: PDK LEAD 17MAY2004
 CKY: PDK LEAD 17MAY2004

TYCO Electronics Singapore

RECEPTACLE ASSEMBLY 5H TYPE (0.5 BOSS LENGTH) FOR FH 0.8 B-T-B CONN. ON TAPING

PRODUCT SPEC: 108-5390
 APPLICATION SPEC: 114-5254

SIZE: A2 CASE CODE: 00779 DRAWING NO: 5177985

WEIGHT: -

SEE P/N TABLE

CUSTOMER DRAWING

SCALE: 3:1 SHEET 1 OF 1 REV 02