

GENERAL DESCRIPTION

The MOBO® series 9158 is a one-piece connector used to connect two PCBs within mobile phones, pagers, PDAs, security, handheld scanners, etc. in a cost-effective manner.

A standard range is available with 16, 20, 24 and 28 contacts to suit stack heights of 1.90mm to 3.30mm. Other contact variants are also available up to 5.10mm, in custom housings. The SOLO STACKER can allow a spacing tolerance of up to ± 0.30 mm and still provide reliable connections between the PCBs, even if they are not parallel.

SOLO STACKER is designed for PCB surface mounting and is supplied in tape and reel packaging. Gold plated pads on the mating PCB or suitable flex circuits provide connection between the boards.

Whatever your requirements this SOLO STACKER can also be customized to suit your applications.

APPLICATIONS

Suitable applications include:

- Mobile Phones
- PDA
- Medical
- PMR
- Industrial
- Security
- Handheld Scanner

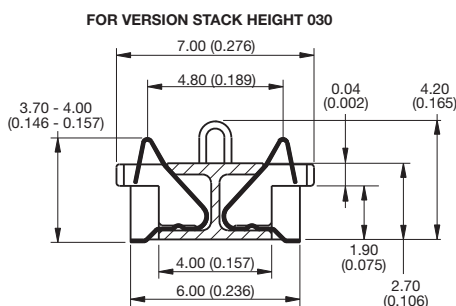
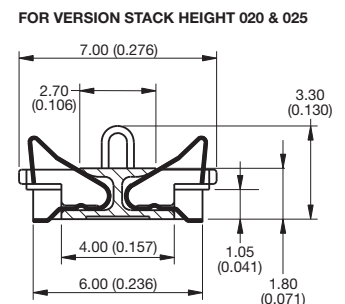
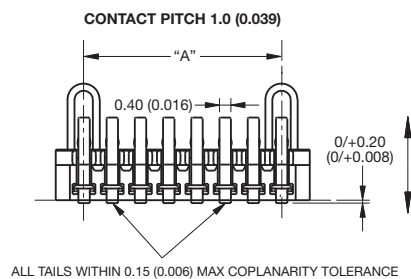
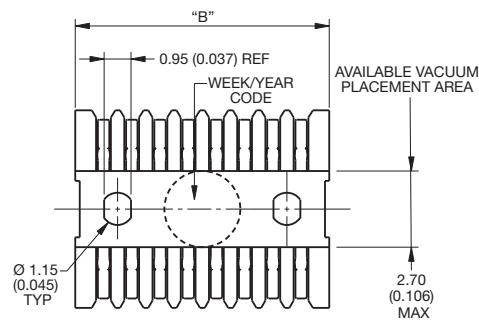
KEY FEATURES AND BENEFITS

Single piece Connector – no mating half connector required to connect two boards together which means:

- Reduced assembly time.
- Only one part to purchase and stock.
- Due to the unique contact design, the mating device does not have to be parallel.
- Extremely robust when subjected to shock and vibration.
- Cost effective.
- Helps reduce tolerance accumulation within system.



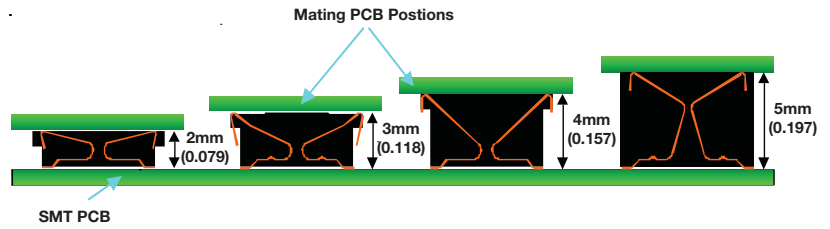
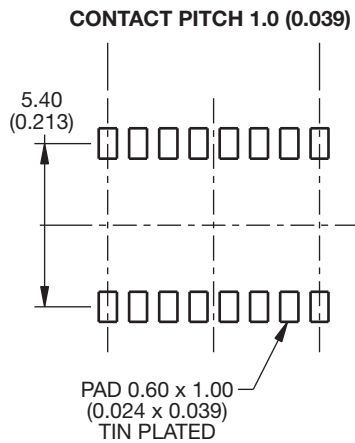
DRAWINGS AND DIMENSIONS



Number of Positions	Part Number	A	B
16	00-9158-016-XXX-XXX	7	9.00
20	00-9158-020-XXX-XXX	9	11.00
24	00-9158-024-XXX-XXX	11	13.00
28	00-9158-028-XXX-XXX	13	15.00

A = Number of contact pitches at 1mm
B = Connector Length

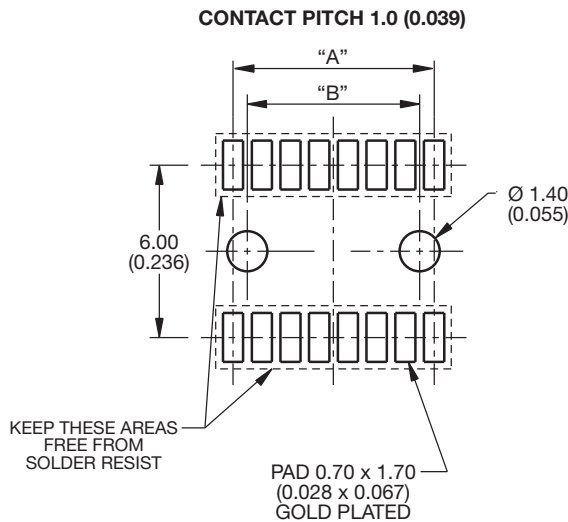
SMT PCB Footprint



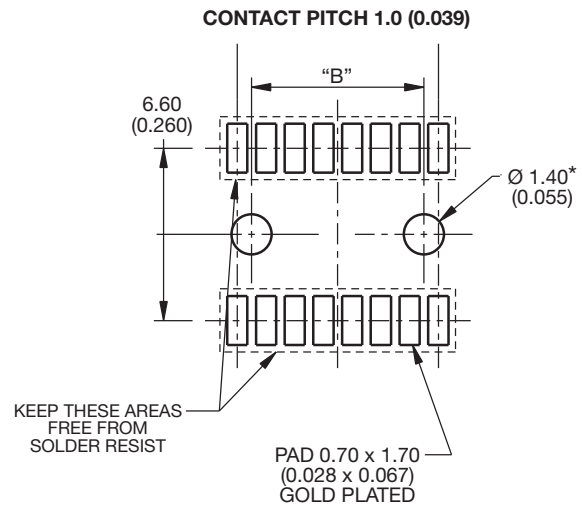
Mating Height	Standard Positions					Special Positions				
	16	20	24	28	32	4	18	30	34	40
2mm	X	X	X	X					X	
3mm	X	X	X	X	X					
4mm						X	X			X
5mm								X		

Other sizes available on request.

Mating PCB Footprint for version stack height 020 & 030



Mating PCB Footprint for version stack height 025



* Used for Boss versions only.

B	Dim
16	6.00 (0.236)
20	8.00 (0.315)
24	10.00 (0.394)
28	12.00 (0.472)

HOW TO ORDER

00
Prefix
00 = Standard
58 = Special

9158
Series

XXX
No of Ways
16 = 016
20 = 020
24 = 024
28 = 028

XXX
Stack Height
020 = 1.9mm to 2.1mm
025 = 2.1mm to 2.7mm
030 = 2.8mm to 3.3mm

06
Plating Variation
06 = Selective Gold
0.25µm
Gold Plated
Contact Nose,
Pure Tin Tail

X
PCB Location Bosses
1 = With PCB Location Bosses
2 = Without PCB Location Bosses