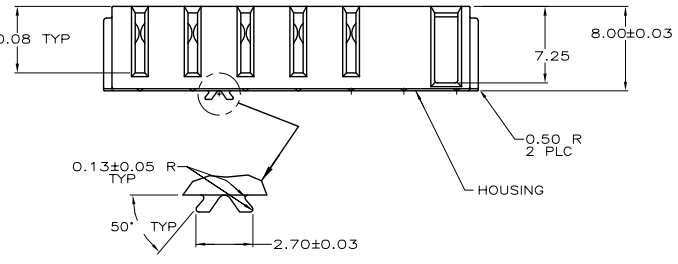
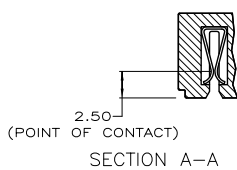
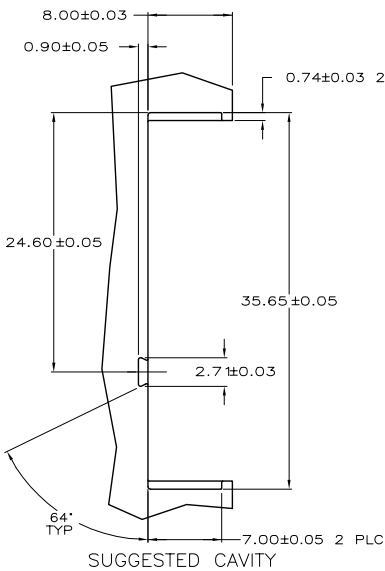
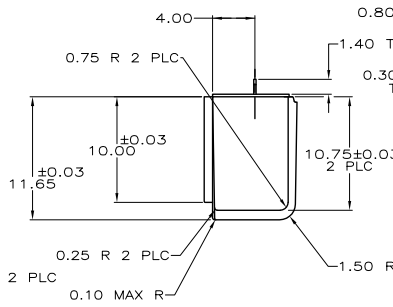
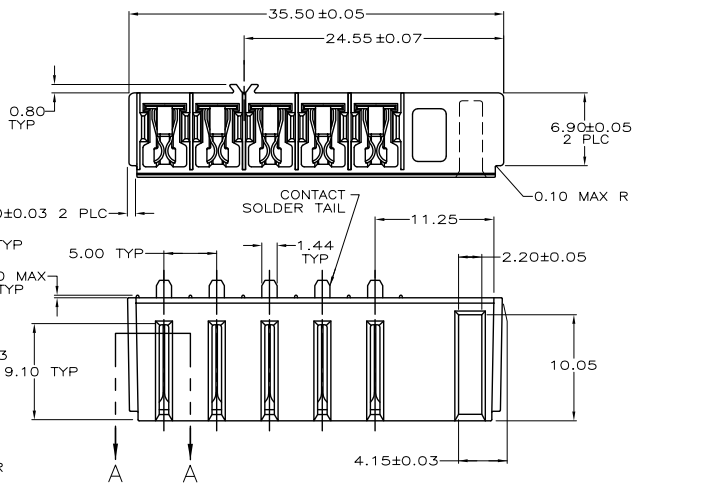
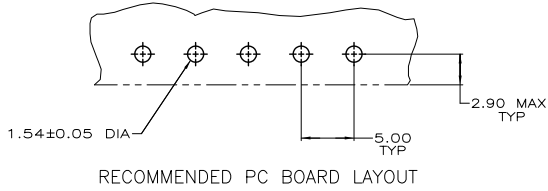


4 3 2 1

THIS DRAWING IS UNPUBLISHED. RELEASED FOR PUBLICATION. ALL RIGHTS RESERVED. BY TYCO ELECTRONICS CORPORATION.

REVOLUTIONS		DATE	BY	APP'D
ES	00			
P	UR			
0	RELEASED	ECR-05-001438	11APR05	J.Z I.E



- ▲ HOUSING: POLYPHTHALAMIDE, BLACK.
- ▲ CONTACT: PHOSPHOR BRONZE.
- ▲ CONTACT: 1.30um MIN TIN ON SOLDER TAIL OVER 1.90um MIN NICKEL ON ENTIRE CONTACT.

5787802-1
PART NUMBER

THIS DRAWING IS A CONTROLLED DOCUMENT.		DATE: 24 MAY 96	BY: C. OBERMAN	DATE: 29 MAY 96	NAME: R. STONE	DATE: 29 MAY 96	NAME: B. KILINE	DATE: 29 MAY 96	NAME: J. B. STONE	DATE: 29 MAY 96	NAME: J. B. STONE
DIMENSIONS: mm		TOLERANCES UNLESS OTHERWISE SPECIFIED:		FRONT VIEW		SIDE VIEW		TOP VIEW		BOTTOM VIEW	
0 PLC	#	-		0 PLC	#	-		0 PLC	#	-	
1 PLC	#	-		1 PLC	#	-		1 PLC	#	-	
2 PLC	#	0.10		2 PLC	#	0.10		2 PLC	#	0.10	
3 PLC	#	-		3 PLC	#	-		3 PLC	#	-	
4 PLC	#	-		4 PLC	#	-		4 PLC	#	-	
5 PLC	#	-		5 PLC	#	-		5 PLC	#	-	
MATERIAL:	FINISH:	WEIGHT:	APPROVAL:	DATE:	BY:	DATE:	BY:	DATE:	BY:	DATE:	BY:
▲	▲	-	CUSTOMER DRAWING	-	-	-	-	-	-	-	-

Tyco Electronics Corporation
Shanghai PRC

INSERT ASSEMBLY, 5 POSITION, DOVETAIL LOCATOR, WITH SOLDER TAIL, 5 mm CENTERLINE, 10.8 VOLTS, BATTERY INTERCONNECT

SIZE: A2 CAGE CODE: 00779 DRAWING NO: 5787802

RESTRICTED TO: -

SCALE: 4:1 SHEET: 1 OF 1 REV: 0

AMP 1471-9 REV 31MR0200

M:\Battery_Lead-free\Wave-Solder>Select_PraPlate\297802\Lead-free\C-5787802_0.dwg