

4

3

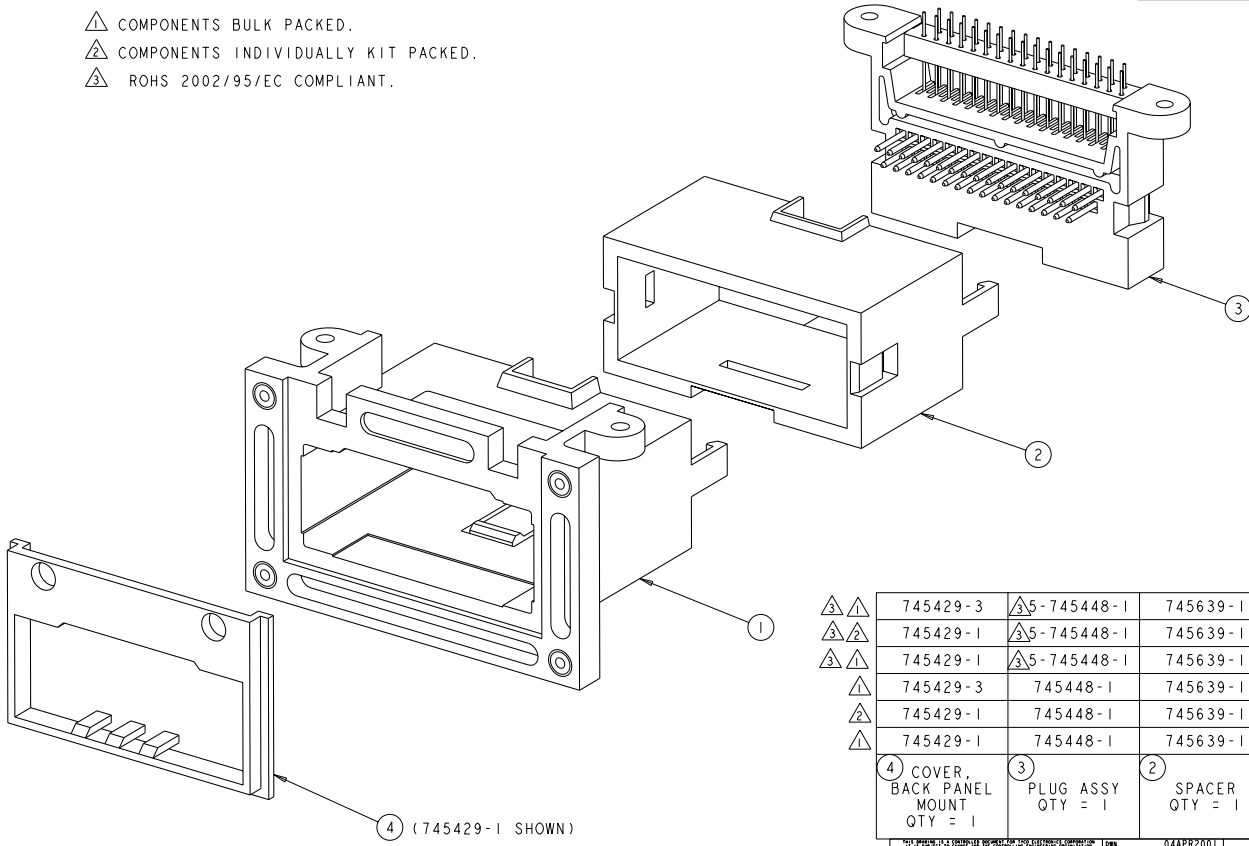
2

1

THIS DRAWING IS UNPUBLISHED. RELEASED FOR PUBLICATION BY TYCO ELECTRONICS CORPORATION. ALL RIGHTS RESERVED. COPYRIGHT 20

REV	DATE	BY	CHKD	APPROV
B	04APR2001	RB	JO	
C	13MAY04	RB	JO	
D	23NOV2005	RB	JO	
D1	04022006	MS	JO	

- ⚠ COMPONENTS BULK PACKED.
- ⚠ COMPONENTS INDIVIDUALLY KIT PACKED.
- ⚠ ROHS 2002/95/EC COMPLIANT.



⚠	⚠	745429-3	⚠	5-745448-1	745639-1	745443-1	5-745641-3
⚠	⚠	745429-1	⚠	5-745448-1	745639-1	745443-1	5-745641-2
⚠	⚠	745429-1	⚠	5-745448-1	745639-1	745443-1	5-745641-1
⚠	⚠	745429-3	745448-1	745639-1	745443-1	745641-3	
⚠	⚠	745429-1	745448-1	745639-1	745443-1	745641-2	
⚠	⚠	745429-1	745448-1	745639-1	745443-1	745641-1	
④	③	②	①				
④ COVER, BACK PANEL MOUNT QTY = 1	③ PLUG ASSY QTY = 1	② SPACER QTY = 1	① ASSY. HOLDER BODY QTY = 1				PART NUMBER

④ (745429-1 SHOWN)

DIMENSIONS: INCHES 0 PLC #0 1 PLC #0.1 2 PLC #0.2 3 PLC #0.005 4 PLC #0.0005 ANGLES FINISH		DATE: 04APR2001 BY: R. BROWN CHKD: J. OLSON APPR: J. OLSON	Tyco Electronics Harrisburg, PA 17105-3608 AMP KIT, LONG HOLDER ASSY, AMPLIMITE CASSETTE CONN. SYSTEM	SHEET: A2 CASE CODE: 00779 DRAWING NO: 745641	RESTRICTED TO:
MATERIAL: -		WEIGHT: -	CUSTOMER DRAWING	SCALE: 2:1	SHEET 1 OF 1 REV D1