

4

3

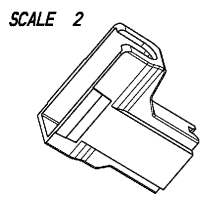
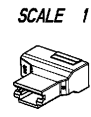
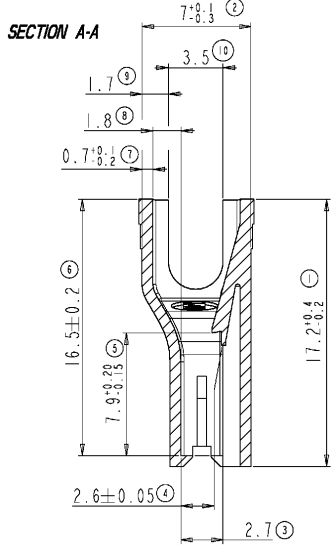
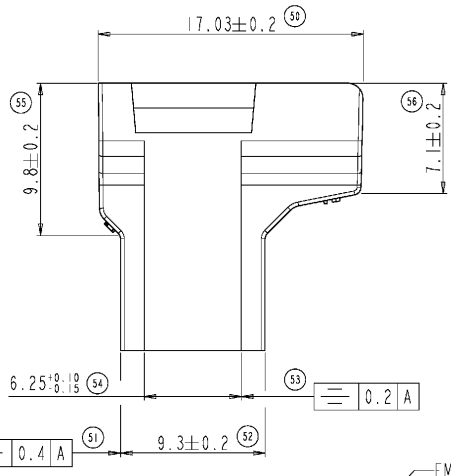
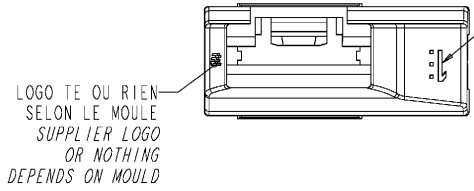
2

1

THIS DRAWING IS UNPUBLISHED. RELEASED FOR PUBLICATION 2005
 © COPYRIGHT 2005 BY TYCO ELECTRONICS CORPORATION. ALL INTERNATIONAL RIGHTS RESERVED.

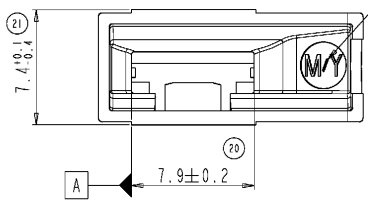
LOC F DIST 00

REVISIONS				
P	LTR	DESCRIPTION	DATE	DWN APVD
D		DESIGN MODIFICATION	09DEC2004	LCi JDf
E		UPDATE	12SEP2005	LCi JDf
F		NEW MOLD	06APR2006	LCi JDf
G		REVIEW ALL DRAWING AND TE LOGO	13OCT2010	PFs JDf
H		CHANGE DATE CODE AND CAVITY REPERE SIDE	15FEB2011	PFs JDf



EMPLACEMENT DATEUR MOIS/ANNEE
OU LOGO TE, SELON LE MOULE
DATE CODE MONTH/YEAR
OR TE LOGO AREA, DEPENDS ON MOULD

TE PN	REF CLIENT CUSTOMER PN	MATIERE MATERIAL	COULEUR COLOR
1544351-1		PCT 30% FV	NOIR / BLACK



<small>THIS DRAWING IS A CONTROLLED DOCUMENT FOR TYCO ELECTRONICS CORPORATION IT IS SUBJECT TO CHANGE AND THE CONTROLLING ENGINEERING ORGANIZATION SHOULD BE CONTACTED FOR THE LATEST REVISION.</small>		DWN 09DEC2004	Tyco Electronics France SAS 517, Av de la Boisse, 73000 Chambéry											
DIMENSIONS: mm		CHK L. CORONELLI												
TOLERANCES UNLESS OTHERWISE SPECIFIED:		P. FLORES 09DEC2004	NAME CAP POUR CLIP DRAPEAU 6.35 1 VOIE 1 WAY 6.35mm FLAG RECEPTACLE HOUSING											
<table border="1"> <tr><td>PLC</td><td>±0.1</td></tr> <tr><td>PLC</td><td>±0.1</td></tr> <tr><td>PLC</td><td>±0.1</td></tr> <tr><td>PLC</td><td>±0.1</td></tr> <tr><td>ANGLES</td><td>±5°</td></tr> </table>		PLC	±0.1	PLC	±0.1	PLC	±0.1	PLC	±0.1	ANGLES	±5°	APVD J. DAHER 09DEC2004	SIZE A3	
PLC	±0.1													
PLC	±0.1													
PLC	±0.1													
PLC	±0.1													
ANGLES	±5°													
MATERIAL SEE TABLE		PRODUCT SPEC -	DRAWING NO. C-1544351											
		APPLICATION SPEC -	RESTRICTED TO -											
		WEIGHT 0.7 g	SCALE 4.0 SHEET 1 OF 1 REV H											
		CUSTOMER DRAWING												