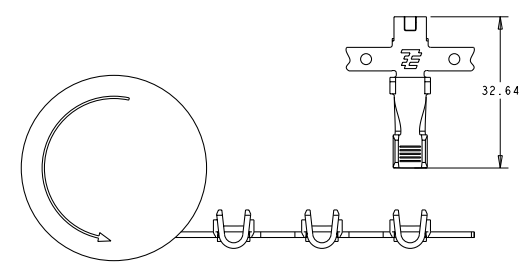
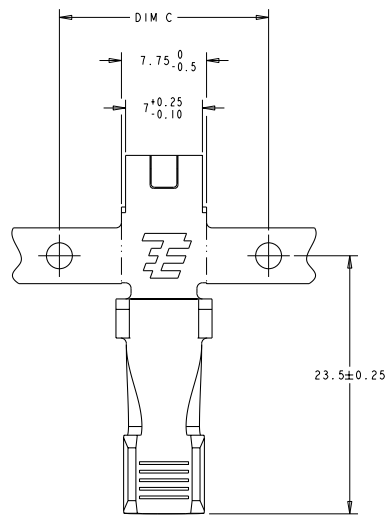
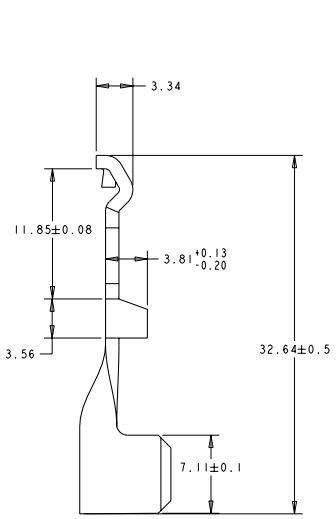


THIS DRAWING IS UNPUBLISHED. RELEASED FOR PUBLICATION  
 BY TYCO ELECTRONICS CORPORATION. ALL RIGHTS RESERVED.

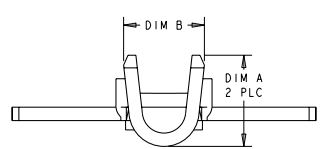
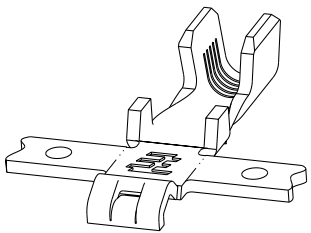
REV	DATE	BY	CHKD	APPROV
A		JIMM10	JR	SM
REVISIONS				
REV	DATE	DESCRIPTION	BY	CHKD
A		REVISED PER ECR 10-006756	JIMM10	JR



REELING AS SHOWN

THIS PRODUCT HAS PASSED VERIFICATION AND AGENCY APPROVALS TESTING AND IS COMPONENT RECOGNIZED PER UL 1977 AND CSA 22.2. TYCO ELECTRONICS PRODUCT QUALIFICATION TESTING IS NOT YET COMPLETE.

- 1. MATERIAL; COPPER
- 2. PLATING; SILVER



CONTACT 10-12 AWG	19±0.08	6.86	7.18 REF	1604433-2
CONTACT 6-8 AWG	25.4±0.08	8.98	9.5 REF	1604433-1
DESCRIPTION	DIM C	DIM B	DIM A	PART NUMBER

TYCO ELECTRONICS CORPORATION		OWN	SMAY2003	Tyco Electronics	
HARRISBURG, PA 17105-3608		DESIGNER	B. HATMAKER	Harrisburg, PA 17105-3608	
DRAWN		DATE	SMAY2003	NAME	
CHECKED		BY	R. WALTER	SMAY2003	
APPROVED		BY	R. WALTER	SMAY2003	
PRODUCT SPEC		APPLICATION SPEC	114-13071	SHEET	A2
MATERIAL		WEIGHT	-	CASE CODE	1604433
FINISH		CUSTOMER DRAWING	-	DRAWING NO	1604433
		SCALE	4:1	SHEET	1 OF 1
		REV	A	RESTRICTED TO	

AMP 1471-B REV 31MAR2000  
 Pre-ENGINEER DRAWING