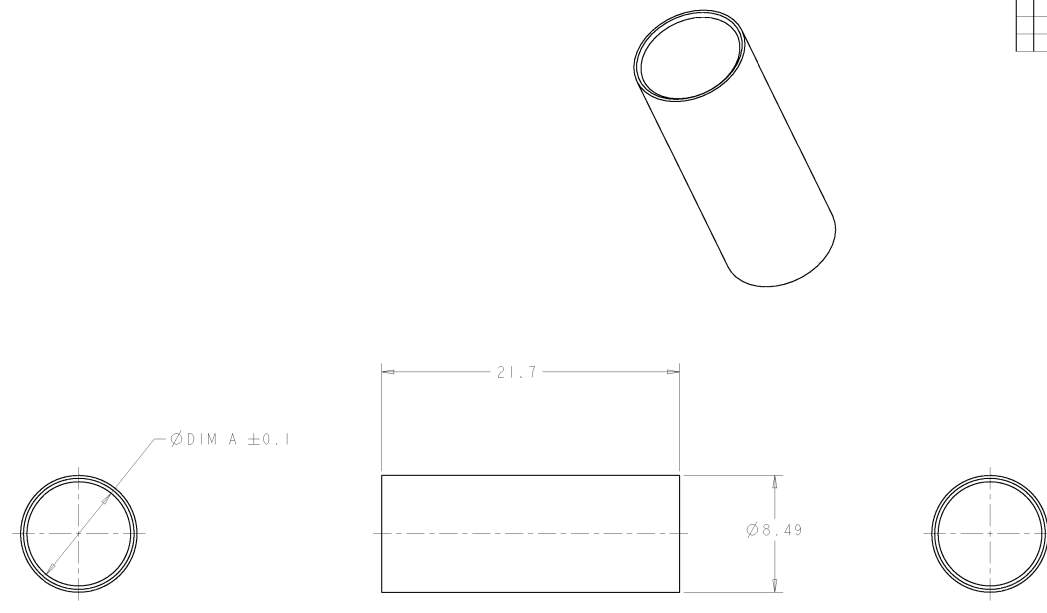


REV	DATE	BY	CHKD	DESCRIPTION
0	13-NOV-03	JE	JE	RELEASED PER 063B-0061-03



- 1. MATERIAL: COPPER
- 2. PLATING: SILVER

METRIC

WIRE RANGE	DIM A	PART NUMBER
#4	7.57	1604072-3
#6	5.72	1604072-2
#8	4.75	1604072-1

<small>TOP DIMENSIONS IN CENTRAL COLUMN ARE APPLICABLE UNLESS OTHERWISE SPECIFIED. DIMENSIONS IN PARENTHESES ARE FOR THE CUSTOMER'S INFORMATION.</small>		DWN: 03 JAN 2002 CBY: HAYMAZ A: KETELSTADT ZBY: 03 JAN 2002 DATE: 03 JAN 2002	tyco Electronics Tyco Electronics Harrisburg, PA 17105-3600
DIMENSIONS: mm DIMENSIONS IN PARENTHESES ARE FOR THE CUSTOMER'S INFORMATION.	DIMENSIONS: mm DIMENSIONS IN PARENTHESES ARE FOR THE CUSTOMER'S INFORMATION.	PRODUCT SPEC: APPLICATION SPEC: WEIGHT: FINISH:	SIZE: A2 CASE CODE: 100779 DRAWING NO: 1604072 RESTRICTED TO:
MATERIAL: -		CUSTOMER DRAWING	SCALE: 5:1 SHEET 1 OF 1 REV 0