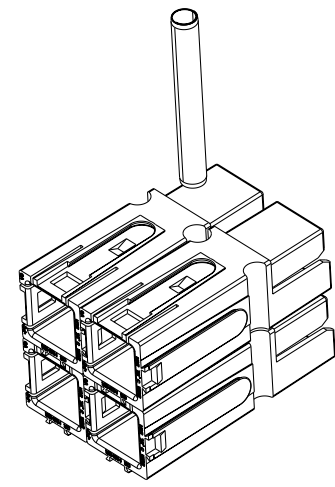
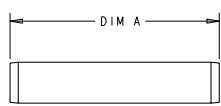
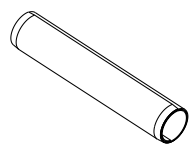


THIS DRAWING IS UNPUBLISHED. RELEASED FOR PUBLICATION
 BY TYCO ELECTRONICS CORPORATION. ALL RIGHTS RESERVED.

REV	DATE	BY	APPV
0	19-FEB-93	JK	JE
01	10DEC99	JK	AEG



TYPICAL USES

⚠ OBSOLETE PARTS: OBSOLETE CIS STREAMLINING PER D.RENAUD/D.SINISI

Ø DIM B	DIM A	PART NUMBER
2.36-2.51	21.59	1445886-6
2.51-2.69	11.18	1445886-5
2.49-2.62	6.35	1445886-4
5-5.25	38.10	1445886-3
5-5.25	25.40	1445886-2
5-5.25	14.22	1445886-1

⚠ OBSOLETE

METRIC

DIMENSIONS: mm 	TO BE USED IN CONJUNCTION WITH THE FOLLOWING SPECIFICATIONS: DIMENSIONAL TOLERANCES PER ANSI Y14.5 FINISH:	DIM: 150CT01 CH: 150CT01 AAR: 150CT01 AAR: 150CT01	Tyco Electronics Harrisburg, PA 17105-3608
MATERIAL: 302 STAINLESS STEEL FINISH: PASSIVATED	WEIGHT: - CUSTOMER DRAWING	PRODUCT SPEC: - APPLICATION SPEC: - SHEET: A2 CASE CODE: 00779 DRAWING NO: 1445886	NAME: RETAINER PIN, POWER PRODUCT RESTRICTED TO: - SCALE: 3:1 SHEET: 1 OF 1 REV: 01