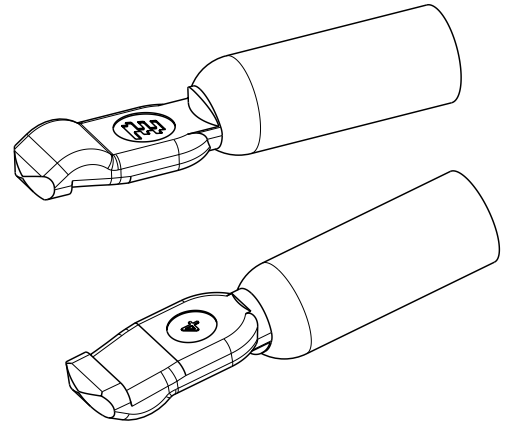
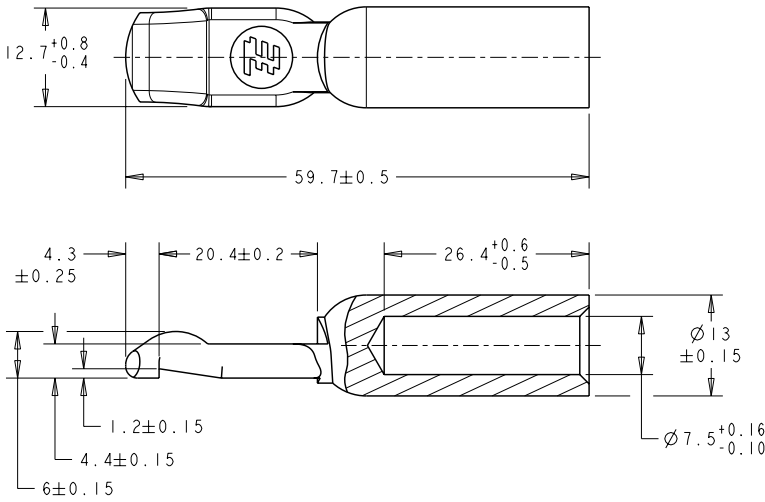


THIS DRAWING IS UNPUBLISHED. RELEASED FOR PUBLICATION 20
 © COPYRIGHT 20 BY TYCO ELECTRONICS CORPORATION. ALL RIGHTS RESERVED.

LOC	DIST	REVISIONS					
CM	0	P	LTR	DESCRIPTION	DATE	DWN	APVD
		A		REV PER ECR 10-006756	01APR10	JR	SM



1. MATERIAL: COPPER ALLOY
2. FINISH: PLATED SILVER

METRIC

AS SHOWN	1604040-1
DESCRIPTION	PART NUMBER

THIS PRODUCT HAS PASSED VERIFICATION AND AGENCY APPROVALS TESTING AND IS COMPONENT RECOGNIZED PER UL 1977 AND CSA 22.2. TYCO ELECTRONICS PRODUCT QUALIFICATION TESTING IS NOT YET COMPLETED.

<small>THIS DRAWING IS A CONTROLLED DOCUMENT FOR TYCO ELECTRONICS CORPORATION AND IS SUBJECT TO CHANGE. THE CONTROLLING ENGINEERING ORGANIZATION SHOULD BE CONTACTED FOR THE LATEST REVISION.</small>		DWN 14MAR2002 B. D. Yohn CHK 14MAR2002 W. H. Bernhart APVD 14MAR2002 W. H. Bernhart	tyco Electronics Tyco Electronics Harrisburg, PA 17105-3608
DIMENSIONS: mm 	TOLERANCES UNLESS OTHERWISE SPECIFIED: 0 PLC ± 1 PLC ±0.3 2 PLC ±0.13 3 PLC ±0.050 4 PLC ± ANGLES ±	NAME CONTACT, AMP POWER SERIES 175 / 180, 4 AWG PRODUCT SPEC APPLICATION SPEC WEIGHT CUSTOMER DRAWING	SIZE CAGE CODE DRAWING NO RESTRICTED TO A3 00779 C-1604040 -
MATERIAL -	FINISH -	SCALE 2:1	SHEET 1 OF 1 REV A