

4

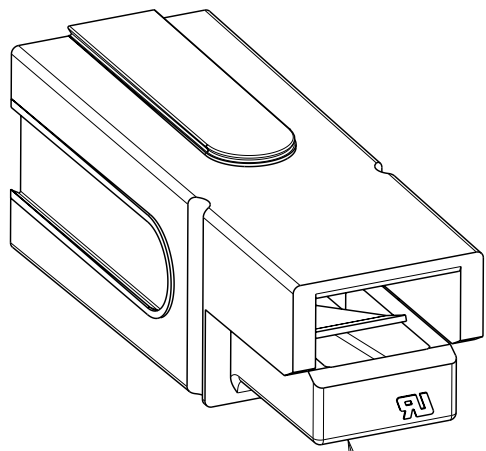
3

2

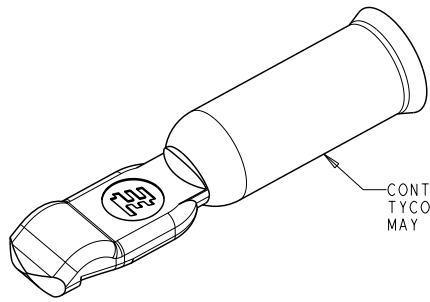
1

THIS DRAWING IS UNPUBLISHED. RELEASED FOR PUBLICATION 20  
 © COPYRIGHT 20 BY TYCO ELECTRONICS CORPORATION. ALL RIGHTS RESERVED.

LOC	DIST	REVISIONS					
CM	0	P	LTR	DESCRIPTION	DATE	DWN	APVD
		01		REVISED PER ECR-10-010379	24MAY2010	HMR	JR



HOUSING-SPRING SUB-ASSY, 1 REOD  
 TYCO PART NUMBER  
 1604062-1 THRU -5 (INCLUSIVE)  
 MAY BE ORDERED SEPARATELY



CONTACT, 2 AWG, 1 REOD  
 TYCO PART NUMBER 1604039-1  
 MAY BE ORDERED SEPARATELY

GREEN	1604396-5
RED	1604396-4
WHITE	1604396-3
BLACK	1604396-2
BLUE	1604396-1
HOUSING COLOR	KIT PART NO

THIS PRODUCT HAS PASSED  
 VERIFICATION AND AGENCY  
 APPROVALS TESTING AND IS  
 COMPONENT RECOGNIZED PER  
 UL 1977. TYCO ELECTRONICS  
 PRODUCT QUALIFICATION TESTING  
 IS NOT YET COMPLETED.



<small>THIS DRAWING IS A CONTROLLED DOCUMENT FOR TYCO ELECTRONICS CORPORATION          IT IS SUBJECT TO CHANGE AND THE CONTROLLING ENGINEERING ORGANIZATION          SHOULD BE CONTACTED FOR THE LATEST REVISION.</small>		DWN 9SEP2002 Brent D. Yohn CHK 9SEP2002 W.H. BERNHART APVD 9SEP2002 W.H. BERNHART	Tyco Electronics Harrisburg, PA 17105-3608
DIMENSIONS: mm	TOLERANCES UNLESS OTHERWISE SPECIFIED: 0 PLC ± 1 PLC ±0.4 2 PLC ±0.13 3 PLC ±0.050 4 PLC ± ANGLES ±	NAME KIT, CONNECTOR, SERIES 180 AMP, WITH 2 AWG CONTACTS	RESTRICTED TO -
MATERIAL -	FINISH -	APPLICATION SPEC - PRODUCT SPEC - WEIGHT -	SIZE A3 CAGE CODE 00779 DRAWING NO C-1604396
CUSTOMER DRAWING		SCALE 2:1	SHEET 1 OF 1 REV 01