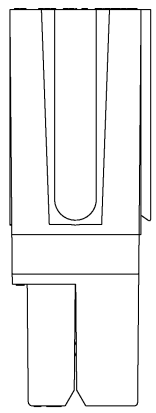
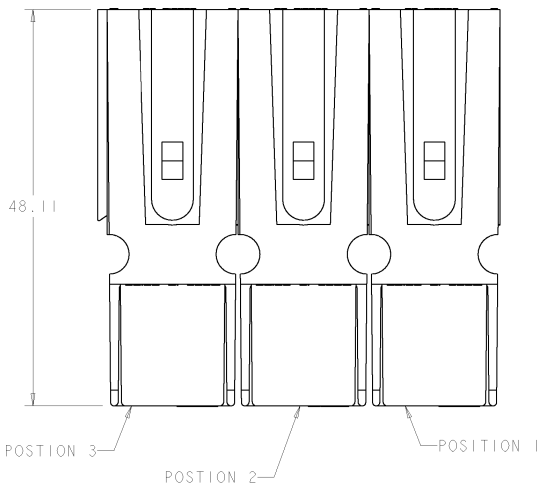
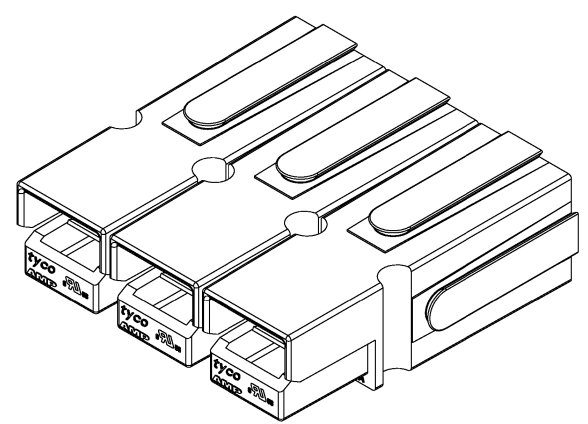
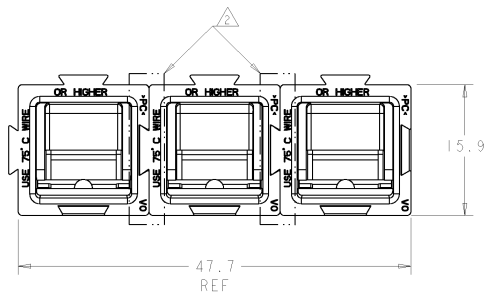


4 3 2 1

THIS DRAWING IS UNPUBLISHED. RELEASED FOR PUBLICATION BY TYCO ELECTRONICS CORPORATION. ALL RIGHTS RESERVED. (C) COPYRIGHT 2001

REV	DATE	BY	CHKD	DESCRIPTION
A	17JAN2007	SM	SM	PRELIMINARY
B	25JAN2007	SM	SM	REVISED ECO-07-001975
C	08MAR2007	SS	SM	REVISED PER ECO-07-005280
D	01OCT2007	SM	FD	REVISED ECO-07-022170



△ MATERIAL AND FINISH:
HOUSING - POLYCARBONATE, COLOR: SEE TABLE
SPRING - STAINLESS STEEL

△ ULTRASONICALLY WELDED IN AREA INDICATED.

2, 3	2	POSN 1	1	1986000-2
POSN 1	1	2, 3	2	1986000-1
POSN	QTY	POSN	QTY	PART NUMBER
RED		BLUE		

HOUSING SUBASSEMBLY

DIMENSIONS:		DRAWN		DATE	
mm		S. WELDON		17JAN2007	
0 PLC		REV		17JAN2007	
1 PLC		S. HEADER		17JAN2007	
2 PLC		A. HEADER		17JAN2007	
3 PLC		PRODUCT SPEC		DATE	
4 PLC		APPLICATION SPEC		SIZE	
5 PLC		WEIGHT		CASE CODE	
ANGLES		CUSTOMER DRAWING		DRAWING NO	
FINISH		SCALE		RESTRICTED TO	
△		3:1		A200779	
		SHEET		1986000	
		OF		1	
		REV		D	

AMP 1471-8 REV 31MAR2000
PFA/ENGINEER DRAWING