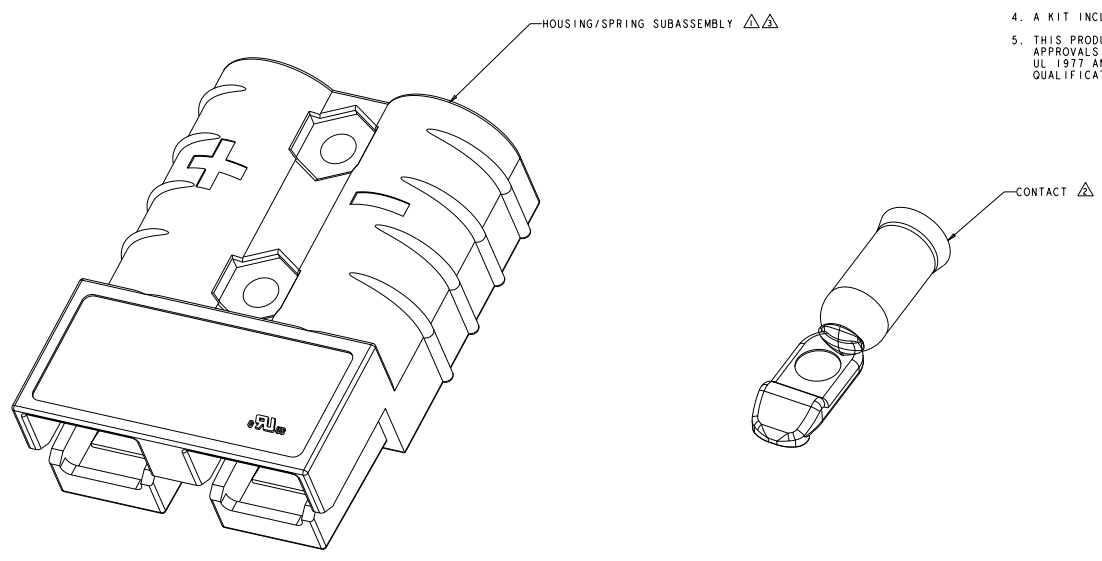


8 7 6 5 4 3 2 1

DATE REVISIONS
 CM 00

REV	DATE	DESCRIPTION	BY	CHK	APP
02		REVISED PER ECR-10-010379			

- △ HOUSING MATERIAL: POLYCARBONATE UL 94 V-0
- △ CONTACT MATERIAL: COPPER
PLATING: SILVER
- △ 647893-4 (COLOR GRAY) AND 647893-7 (COLOR BLACK)
KEY DETAIL ARE SHOWN.
- 4. A KIT INCLUDES 1 HOUSING SPRING ASSEMBLY AND 2 CONTACTS.
- 5. THIS PRODUCT HAS PASSED VERIFICATION AND AGENCY APPROVALS TESTING AND IS COMPONENT RECOGNIZED PER UL 1977 AND CSA 22.2. TYCO ELECTRONICS PRODUCT QUALIFICATION TESTING IS NOT YET COMPLETE.



647879-1	647845-8 (YELLOW)	647893-8
647879-1	647845-7 (BLACK)	647893-7
647879-1	647845-5 (BLUE)	647893-5
647879-1	647845-4 (GRAY)	647893-4
647879-1	647845-3 (RED)	647893-3
△CONTACT	△HOUSING/SPRING SUBASSEMBLY	KIT P/N

DATE: 03/20/2007 DRAWN BY: J. J. HILLIS CHECKED BY: J. J. HILLIS TITLE: CUSTOMER DRAWING		DATE: 03/20/2007 DRAWN BY: J. J. HILLIS CHECKED BY: J. J. HILLIS TITLE: CUSTOMER DRAWING		DATE: 03/20/2007 DRAWN BY: J. J. HILLIS CHECKED BY: J. J. HILLIS TITLE: CUSTOMER DRAWING	
Tyco Electronics Harrisburg, PA 17105-3600			CONNECTOR KIT, AMP POWER SERIES 50, 10-12 AWG		
STATE: PA COUNTY: YORK CITY: HARRISBURG		STATE: PA COUNTY: YORK CITY: HARRISBURG		STATE: PA COUNTY: YORK CITY: HARRISBURG	
PART NUMBER: 647893		PART NUMBER: 647893		PART NUMBER: 647893	

AMP 000 REV 000000
 Pre-ENGINEER DRAWING