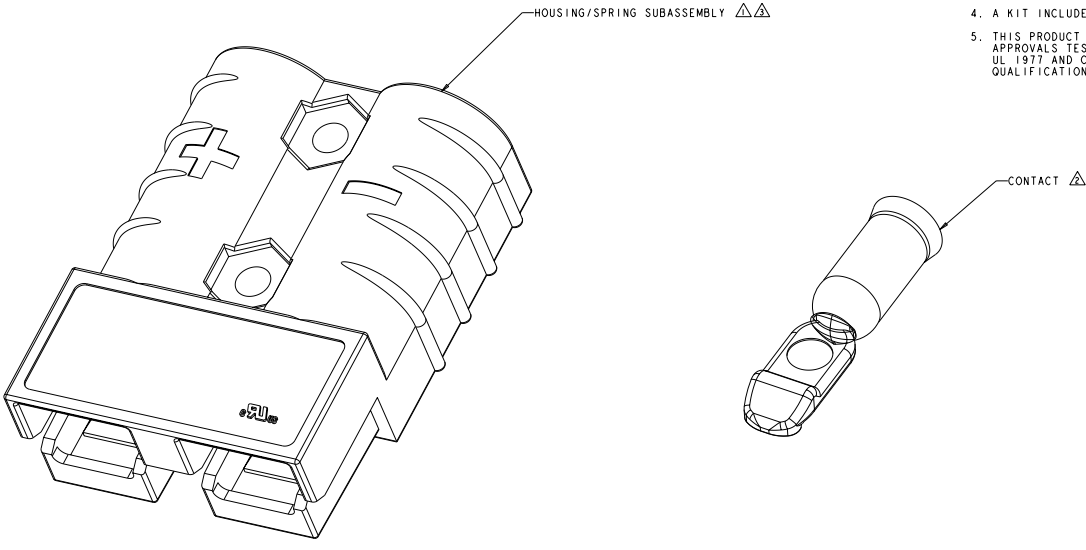


8 7 6 5 4 3 2 1  
 THIS DRAWING IS UNPUBLISHED. RECEIVED FOR PUBLICATION  
 © 2016 TYCO ELECTRONICS CORPORATION. ALL RIGHTS RESERVED.

REVISED		REVISIONS			
REV	DATE	DESCRIPTION	BY	CHK	APP
02		REVISED PER ECR-10-010378			

- △ HOUSING MATERIAL: POLYCARBONATE UL 94 V-0
- △ CONTACT MATERIAL: COPPER  
PLATING: SILVER
- △ 647892-4 (COLOR GRAY) AND 647892-7 (COLOR BLACK)  
KEY DETAIL ARE SHOWN.
- 4. A KIT INCLUDES 1 HOUSING SPRING ASSEMBLY AND 2 CONTACTS.
- 5. THIS PRODUCT HAS PASSED VERIFICATION AND AGENCY APPROVALS TESTING AND IS COMPONENT RECOGNIZED PER UL 1977 AND CSA 22.2. TYCO ELECTRONICS PRODUCT QUALIFICATION TESTING IS NOT YET COMPLETE.



647877-1	647845-8 (YELLOW)	647892-8
647877-1	647845-7 (BLACK)	647892-7
647877-1	647845-5 (BLUE)	647892-5
647877-1	647845-4 (GRAY)	647892-4
647877-1	647845-3 (RED)	647892-3
△CONTACT	△HOUSING/SPRING SUBASSEMBLY	KIT P/N

TITLE: AMP POWER SERIES 50, 6 AWG CONNECTOR KIT PART NUMBER: 647892-4 DATE: 00778 ©-647892		Tyco Electronics Harrisburg, PA 17105-3600	
DRAWN BY: [blank] CHECKED BY: [blank] DESIGNED BY: [blank]	ENGINEER: [blank] MANUFACTURING: [blank]	STATE: PA CUSTOMER DRAWING	SHEET: 5 OF 1 DATE: 11/14/02