

4

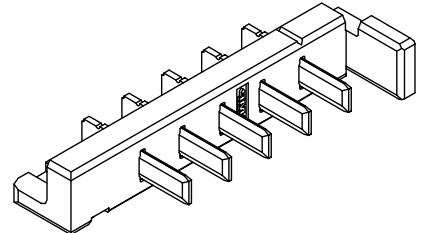
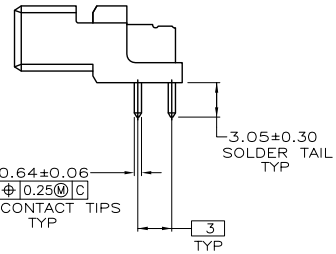
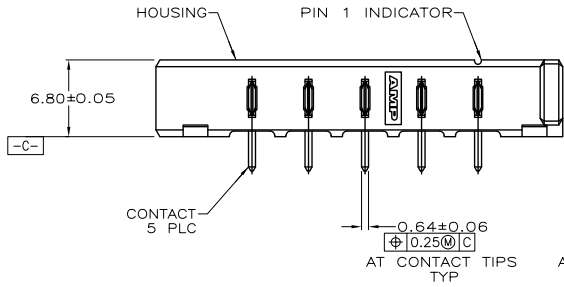
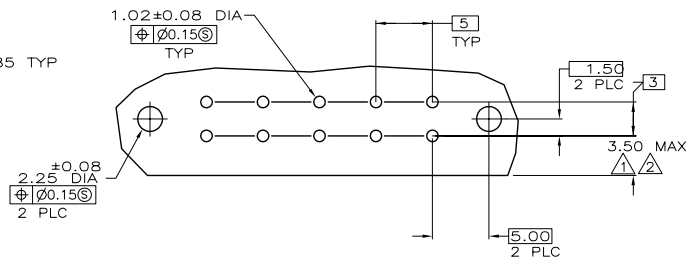
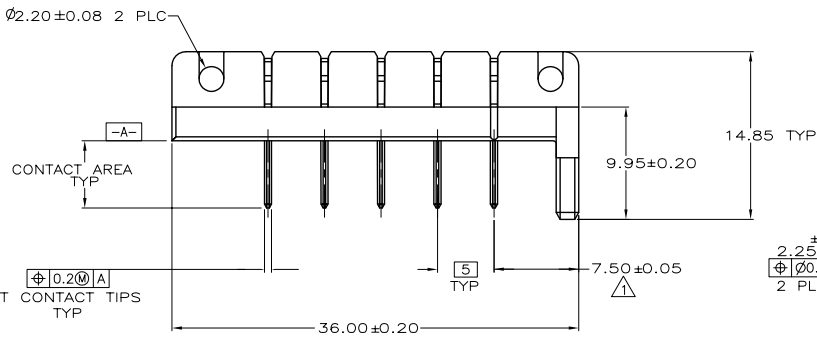
3

2

1

THIS DRAWING IS UNPUBLISHED. RELEASED FOR PUBLICATION
 © COPYRIGHT BY TYCO ELECTRONICS CORPORATION. ALL RIGHTS RESERVED.

LOC	DIST	REVISIONS				
P	LTR	DESCRIPTION	DATE	DWN	APVD	
ES	00					
0		RELEASED	ECR-05-001438	29MAR05	J.Z. I.E.	



P/N: 5787366-1

- △ COORDINATE DIMENSION APPLIES FROM CENTER OF ACTUAL FEATURE.
- △ DIMENSION CAN BE EXCEEDED FOR APPLICATIONS WHERE FINAL MATED POSITION OF PACK IS ABOVE TOP SURFACE OF PCB.
- △ HOUSING: LCP, COLOR BLACK; CONTACTS: BRASS
- △ CONTACTS: 2.54um MIN TIN ON SOLDER TAIL OVER 1.90um MIN NICKEL ALL OVER.

THIS DRAWING IS A CONTROLLED DOCUMENT.		DWN R.S.KLINE 1-5-95	tyco Electronics	Tyco Electronics Corporation	
		CHK R.S.KLINE 1-9-95		Shanghai PRC	
DIMENSIONS: mm		APVD R.S.KLINE 1-9-95	NAME		
TOLERANCES UNLESS OTHERWISE SPECIFIED:		PRODUCT SPEC	HEADER ASSEMBLY, RIGHT ANGLE, RIGHT VOLTAGE KEY, 12V, BATTERY INTERCONNECTS		
0 PLC ±		APPLICATION SPEC	SIZE A3	CAGE CODE 00779	DRAWING NO C=5787366
1 PLC ±		WEIGHT	RESTRICTED TO		
2 PLC ±0.10		CUSTOMER DRAWING	SCALE 3:1	SHEET 1 OF 1	REV 0
3 PLC ±					
4 PLC ±					
ANGLES ±					
MATERIAL △					
FINISH △					

AMP 1470-19 REV 31MAR2000

M:\Battery_Lead-free\Normal\787366\Lead-free\C-5787366_0.dwg