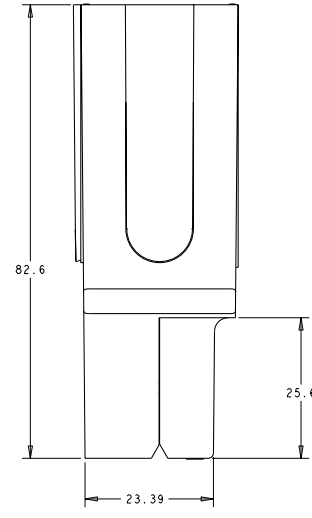
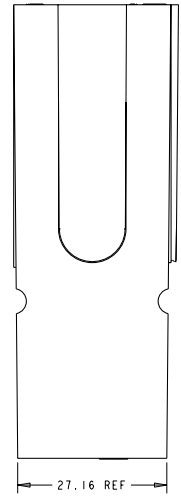
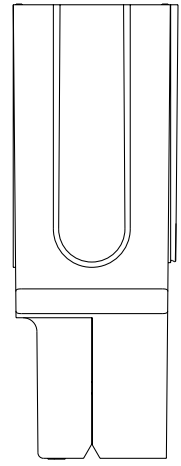
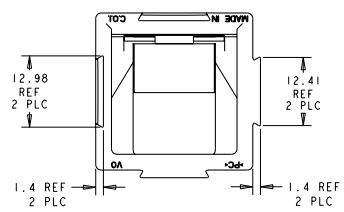
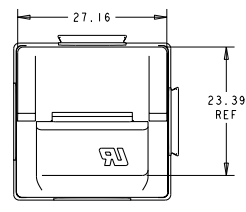
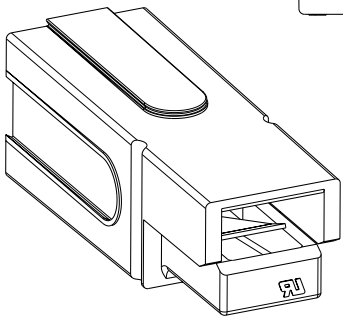


REVOLUTION		REVISIONS		
P	LYR	DESCRIPTION	DATE	BY
01		REVISED PER ECR-10-010379	2004/2010	HMR JR



THIS PRODUCT HAS PASSED VERIFICATION AND AGENCY APPROVALS TESTING AND IS COMPONENT RECOGNIZED PER UL 1977. TYCO ELECTRONICS PRODUCT QUALIFICATION TESTING IS NOT YET COMPLETED.

GREEN	1604062-5
RED	1604062-4
WHITE	1604062-3
BLACK	1604062-2
BLUE	1604062-1
HOUSING COLOR	ASSEMBLY PART NO



**METRIC**

DIMENSIONS:		OWN	9SEPT2002	Tyco Electronics	
mm		CHK	B. D. YOHN	Harrisburg, PA 17105-3608	
SYMBOLS:		APP'D	9SEPT2002	SUB-ASSY, HOUSING WITH SPRING	
0 PLC 40.13		NAME	W. H. BERNHART	180 AMP SINGLE POLE POWER PRODUCT	
1 PLC 40.13		APPLICATION SPEC		SIZE	SCALE
2 PLC 40.13		WEIGHT		A2	2:1
3 PLC 40.13		CUSTOMER DRAWING		1604062	1
4 PLC 40.13					1
ANGLES					
FINISH					