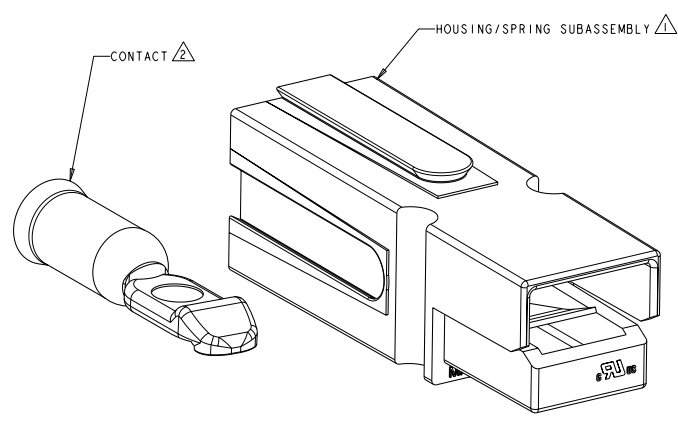
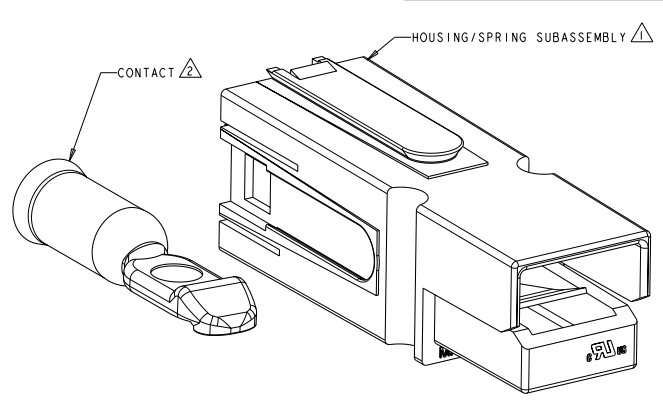


REV	DATE	BY	APPD
A2	12MAR2011	JK	HMR



PART NUMBER 1445716-1 THRU 1445716-5
(WITHOUT LOCKING FEATURE)



PART NUMBER 1445716-6 THRU 1-1445716-0
(WITH LOCKING FEATURE)

- △ HOUSING MATERIAL: POLYCARBONATE UL94V0.
- △ CONTACT MATERIAL: COPPER
PLATING: SILVER

3. THIS PRODUCT HAS PASSED VERIFICATION AND AGENCY APPROVALS TESTING AND IS COMPONENT RECOGNIZED PER UL 1977 AND CSA 22.2. TE CONNECTIVITY PRODUCT QUALIFICATION TESTING IS NOT YET COMPLETED.



WITH LOCKING FEATURE	647877-1	1-1445715-0 (RED)	1-1445716-0
WITH LOCKING FEATURE	647877-1	1445715-9 (GREEN)	1445716-9
WITH LOCKING FEATURE	647877-1	1445715-8 (WHITE)	1445716-8
WITH LOCKING FEATURE	647877-1	1445715-7 (BLACK)	1445716-7
WITH LOCKING FEATURE	647877-1	1445715-6 (BLUE)	1445716-6
WITHOUT LOCKING FEATURE	647877-1	1445715-5 (RED)	1445716-5
WITHOUT LOCKING FEATURE	647877-1	1445715-4 (GREEN)	1445716-4
WITHOUT LOCKING FEATURE	647877-1	1445715-3 (WHITE)	1445716-3
WITHOUT LOCKING FEATURE	647877-1	1445715-2 (BLACK)	1445716-2
WITHOUT LOCKING FEATURE	647877-1	1445715-1 (BLUE)	1445716-1

THIS DRAWING IS A CONTROLLED DOCUMENT.		REV	190CT01
DIMENSIONS:		REV	190CT01
mm		REV	190CT01
TO DIMENSIONS UNLESS OTHERWISE SPECIFIED:		REV	190CT01
0 PLC	±	PRODUCT SPEC	
1 PLC	±	APPLICATION SPEC	
2 PLC	±0.13	SHEET	A2
3 PLC	±	CASE CODE	00779
4 PLC	±	DRAWING NO	1445716
ANGLES	±	RESTRICTED TO	
MATERIAL		WEIGHT	
		CUSTOMER DRAWING	

TE TE Connectivity
KIT, AMP POWER SERIES 75

SCALE 4:1 SHEET 1 OF 1 REV A2