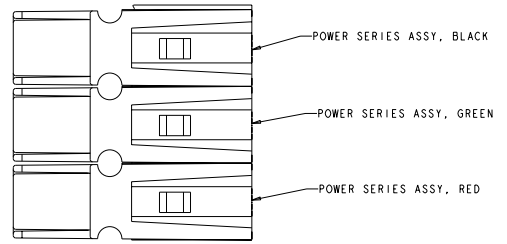
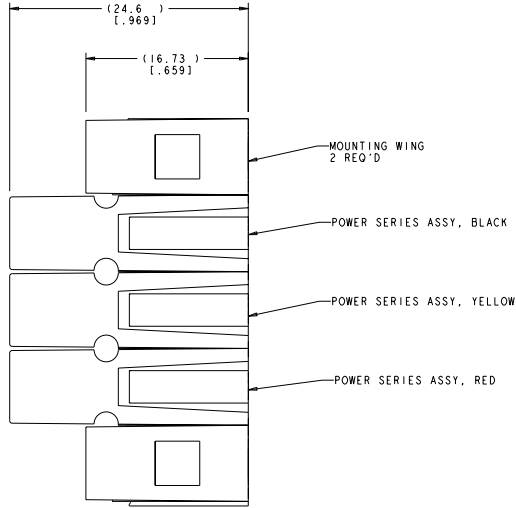
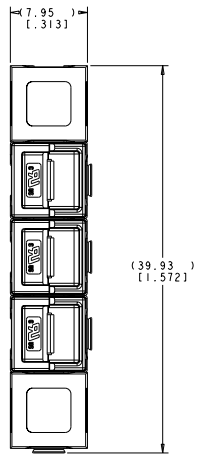
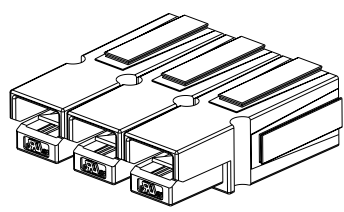
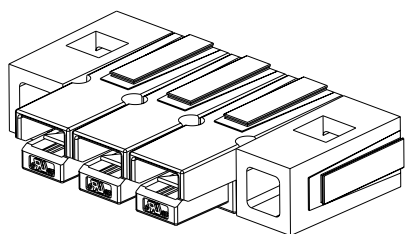


REVISED		REVISIONS	
CM	00	REV	DATE
A		REVISED PER ECO-05-016916	01/08/16 RW JE
A1		REVISED PER ECO-06-004222	10/08/16 RW JE
A2		REVISED PER ECO-05-004443	12/08/16 SS MS



- 3 AS SHOWN



2266.843	1744188-3
2266.843	1744188-2
3438.345	1744188-1
VOLUME (mm <sup>3</sup> )	PART NO

DATE: 08/20/2018	BY: TECH ELECTRONICS CORPORATION	REV: 00	ECO: 00	DATE: 08/20/2018	BY: TECH ELECTRONICS CORPORATION	REV: 00	ECO: 00
<b>METRIC</b>				<b>TECH ELECTRONICS CORPORATION</b> 1744188-1 ULTRASONICALLY WELDED ASSEMBLY, AMP POWER SERIES 15/30/45			
STATE: PA COUNTY: BERKSHIRE CITY: WARRINGHAM ZIP: 17145-3600				PART NO: 1744188-1 VOLUME: 3438.345 mm <sup>3</sup> CUSTOMER DRAWING: SEE TABLE A			

