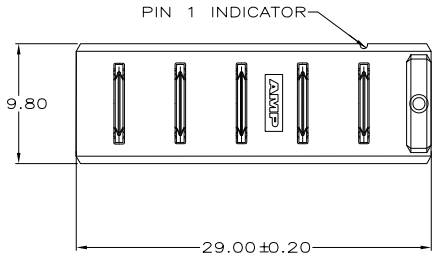
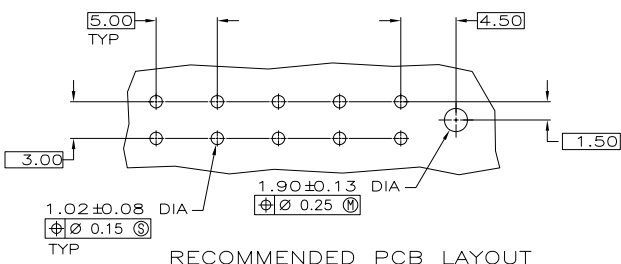
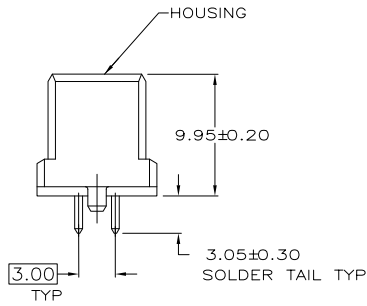
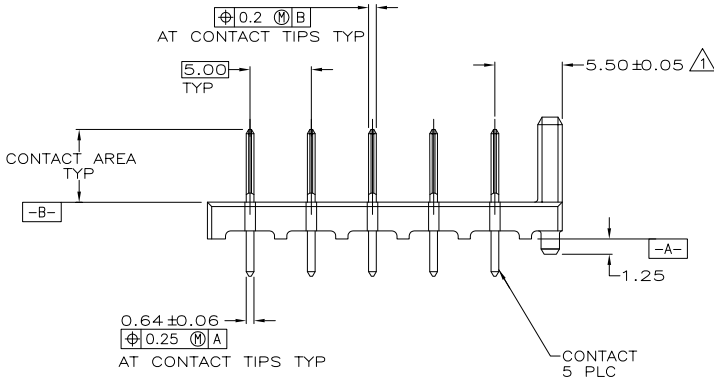
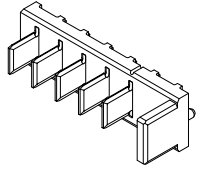


THIS DRAWING IS UNPUBLISHED. RELEASED FOR PUBLICATION
 © COPYRIGHT BY TYCO ELECTRONICS CORPORATION. ALL RIGHTS RESERVED.

| LOC | | DIST | | REVISIONS | | | |
|-----|-----|---------------------------|--|-----------|-----|------|--|
| P | LTR | DESCRIPTION | | DATE | DWN | APVD | |
| A | | REVISED PER ECR-08-013882 | | 02JUN2008 | A.S | S.Y | |



- ⚠️ COORDINATE DIMENSION APPLIES FROM CENTER OF ACTUAL FEATURE.
- ⚠️ HOUSING: POLYPHTHALAMIDE
- ⚠️ CONTACTS: BRASS
- ⚠️ 2.54 μm MIN TIN ON SOLDER TAIL OVER 1.90 μm MIN NICKEL.



| | | | | |
|--|--|---|--------------------|--|
| THIS DRAWING IS A CONTROLLED DOCUMENT. | | DIN WENKE HE 19APR05 | 5787334-1 PART NO. | |
| CHK STEVEN YAO 19APR05 | | Tyco Electronics Corporation Shanghai P.R.CHINA | | |
| APVD | | NAME | | |
| DIMENSIONS: mm | | PRODUCT SPEC | | |
| TOLERANCES UNLESS OTHERWISE SPECIFIED: | | APPLICATION SPEC | | |
| 0 PLC ± - | | SIZE | | |
| 1 PLC ± - | | CAGE CODE | | |
| 2 PLC ± 0.10 | | DRAWING NO | | |
| 3 PLC ± - | | A300779 C=5787334 | | |
| 4 PLC ± - | | RESTRICTED TO | | |
| ANGLES ± - | | CUSTOMER DRAWING | | |
| MATERIAL | | SCALE | | |
| FINISH | | 4:1 | | |
| SHEET | | 1 OF 1 | | |
| REV | | A | | |