

4

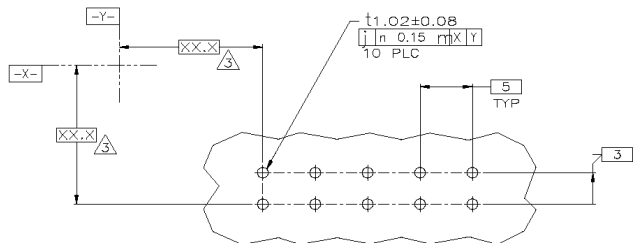
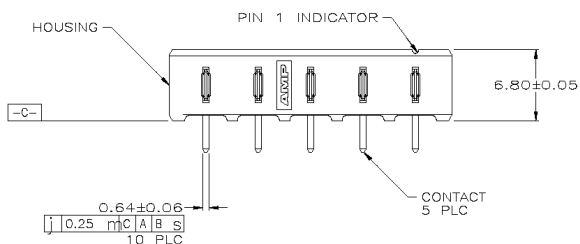
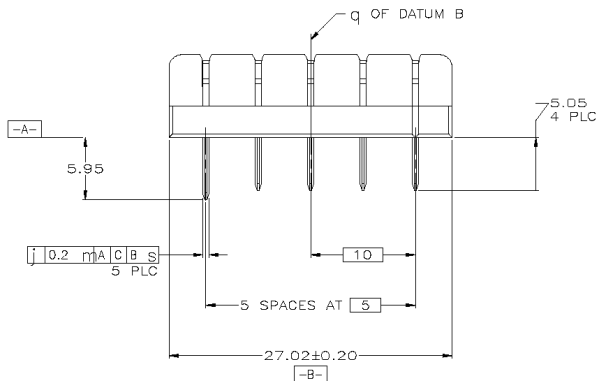
3

2

1

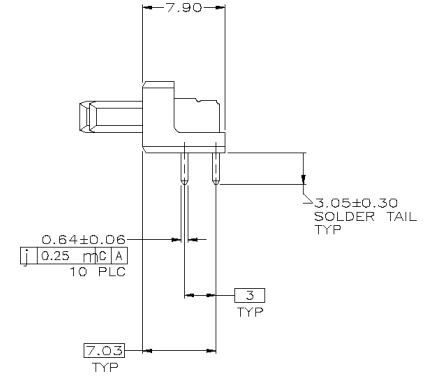
THIS DRAWING IS UNPUBLISHED. RELEASED FOR PUBLICATION BY AMP INCORPORATED. ALL RIGHTS RESERVED.

REV	DATE	BY	APP'D	DESCRIPTION
0				RELEASED ECO-05-001391



RECOMMENDED MOUNTING HOLE PATTERN

- △ HOUSING: LCP, BLACK.
CONTACTS: BRASS.
- △ CONTACTS: 2.541 m MIN TIN ON SOLDER TAIL OVER
1.901 m MIN NICKEL ALL OVER.
- △ DATUMS AND BASIC DIMENSIONS TO BE ESTABLISHED BY CUSTOMER.



5796078-1
PART NUMBER

THIS DRAWING IS A CONTROLLED DOCUMENT.		DESIGNED BY: WENKE HE	DATE: 11/19/97		AMP Incorporated Harrisburg, PA 17105-380B
DRAWN BY: STEVEN YAO		CHECKED BY: LINDA MOTO	DATE: 11/19/97		AMP HEADER ASSEMBLY, RIGHT ANGLE, KEYLESS, 5 POSITION, SEQUENCING, BATTERY INTERCONNECT
DATE: 03-13-98	SCALE: 4:1	DRAWING NO: 5796078	SHEET: 1 OF 1	REV: 0	RESTRICTED TO: -

AMP 1471-9 REV 11A/97 Translated 20041022/014 (YIN/MD/1014/05) 030
 ComputerAid, Inc., Medford, Oregon 97504
 08-MAR-98 11:40:16 amp35397/home/serv0264/dsk04/dep14023/amp35397/wdrmod