

4

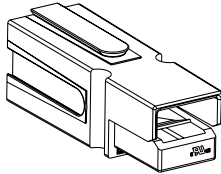
3

2

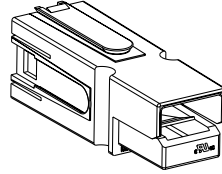
1

THIS DRAWING IS UNPUBLISHED. BY TYCO ELECTRONICS CORPORATION. ALL RIGHTS RESERVED. COPYRIGHT 20

LOC	QTY	REV	DESCRIPTION	DATE	BY	APPV
CM	00	A2	REVISED PER ECR-10-010379	2004/2010	SMR	JR

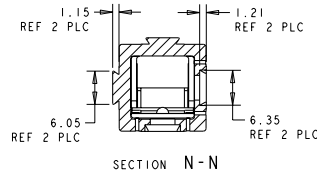
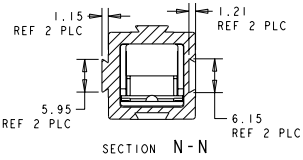
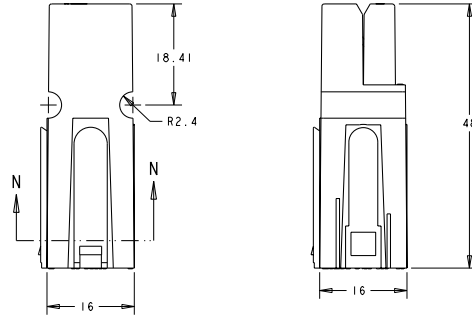
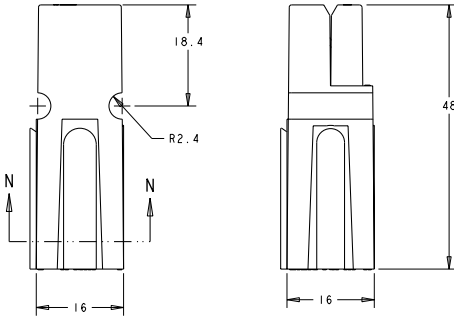


PART NUMBERS
1445715-1 THRU 1445715-5
WITHOUT LOCKING FEATURE



PART NUMBERS
1445715-6 THRU 1-1445715-0
WITH LOCKING FEATURE

1. THIS PRODUCT HAS PASSED VERIFICATION AND AGENCY APPROVALS TESTING AND IS COMPONENT RECOGNIZED PER UL 1977 AND CSA 22.2. TYCO ELECTRONICS PRODUCT QUALIFICATION TESTING IS NOT YET COMPLETED.



1445715-1 TO 1445715-5
WITHOUT LOCKING FEATURE

1445715-6 TO 1-1445715-0
WITH LOCKING FEATURE

WITH LOCKING FEATURE	RED	1-1445715-0
WITH LOCKING FEATURE	GREEN	1445715-9
WITH LOCKING FEATURE	WHITE	1445715-8
WITH LOCKING FEATURE	BLACK	1445715-7
WITH LOCKING FEATURE	BLUE	1445715-6
WITHOUT LOCKING FEATURE	RED	1445715-5
WITHOUT LOCKING FEATURE	GREEN	1445715-4
WITHOUT LOCKING FEATURE	WHITE	1445715-3
WITHOUT LOCKING FEATURE	BLACK	1445715-2
WITHOUT LOCKING FEATURE	BLUE	1445715-1
DESCRIPTION	COLOR	PART NUMBER

METRIC

DIMENSIONS: mm 	TO DIMENSIONS SHOWN ON THE DRAWING UNLESS OTHERWISE SPECIFIED. DIMENSIONS: mm 	DWG: 040CT01 CH: 040CT01 CDR: 040CT01 APPR: 040CT01 NAME: PRODUCT SPEC: APPLICATION SPEC: WEIGHT: MATERIAL: FINISH:	Tyco Electronics Harrisburg, PA 17105-3608 CONNECTOR ASSEMBLY, AMP POWER SERIES 75 SHEET: A2 CASE CODE: 00779 DRAWING NO: 1445715 SCALE: 2:1 SHEET: 1 OF 1 REV: A2	RESTRICTED TO:
-----------------------	---	--	---	----------------