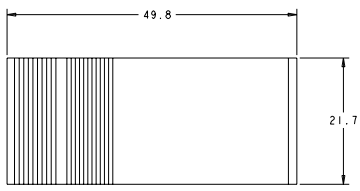
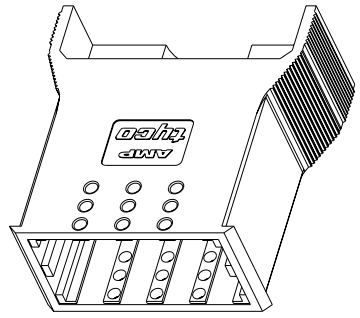
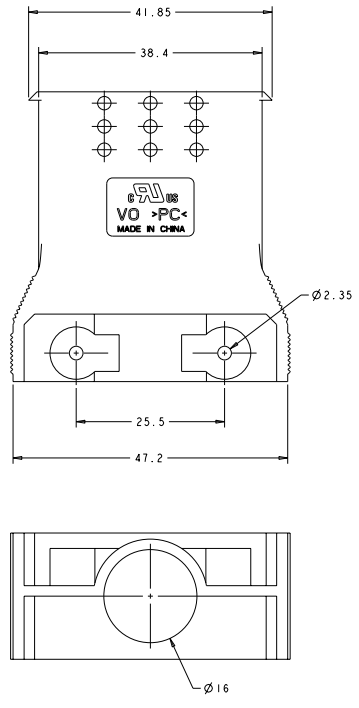


DATE SHOWN IN DIMENSIONS: 24
 REVISIONS FOR FABRICATION: 24
 © 2004-2022 BY TECH ELECTRONICS CORPORATION. ALL RIGHTS RESERVED.

REV. NO.		DATE		DESCRIPTION		BY	CHK	APP
A	RELEASED	2/20/2021	SM					



1. MATERIAL: POLYCARBONATE 94-V0
2. COLOR: BLACK

1604082-1
 PART NUMBER

DATE: 01/24/2021	TIME: 10:00 AM	BY: J. H. HARRIS	DATE: 01/24/2021	TIME: 10:00 AM	BY: J. H. HARRIS
REV. NO.: 0	REV. DATE: 01/24/2021	REV. BY: J. H. HARRIS	REV. DATE: 01/24/2021	REV. BY: J. H. HARRIS	REV. DATE: 01/24/2021
TITLE: HOUSING, 2X4 POWER SERIES PLUG WITHOUT LATCH CUSTOMER DRAWING			SCALE: 1:1 SHEET: 1 OF 1		

APP: 0001 REV: 0000000
 Proj: ENGINEER DRAWING