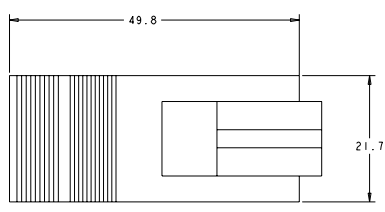
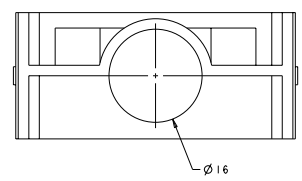
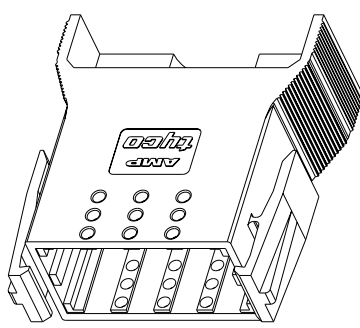
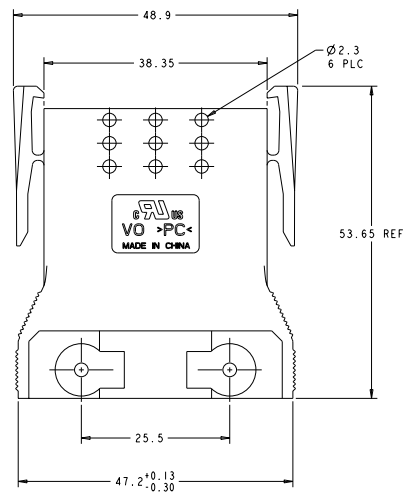


DATE DRAWING IS SUPERSEDED BY THIS ELECTRONICS CORPORATION. ALL RIGHTS RESERVED.

REVISITS		REVISIONS			
NO.	DATE	BY	DESCRIPTION	DATE	CHK
FT	0	A	RELEASED	2/20/2002	SM



- 1. MATERIAL: POLYCARBONATE 94-V0
- 2. COLOR: BLACK

1604085-1  
PART NUMBER

DATE: 02/20/2002		BY: JALMBAK	DATE: 02/20/2002	REV: 0	DATE: 02/20/2002
DRAWN BY: JALMBAK		CHKD BY: JALMBAK	DATE: 02/20/2002	REV: 0	DATE: 02/20/2002
DESIGNED BY: JALMBAK		APP'D BY: JALMBAK	DATE: 02/20/2002	REV: 0	DATE: 02/20/2002
CHECKED BY: JALMBAK		DATE: 02/20/2002	REV: 0	DATE: 02/20/2002	REV: 0
MATERIAL: POLYCARBONATE 94-V0		DESCRIPTION: HOUSING, 2X4 POWER SERIES PLUG WITH LATCH	SIZE: A	SCALE CODE: 3:1	QUANTITY: 1
PART NUMBER: 1604085-1		REV: 0	DATE: 02/20/2002	REV: 0	DATE: 02/20/2002
CUSTOMER DRAWING		DATE: 02/20/2002	REV: 0	DATE: 02/20/2002	REV: 0

APP'D BY: JALMBAK  
PREPARED BY: JALMBAK