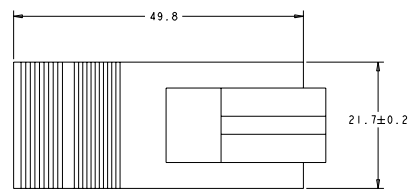
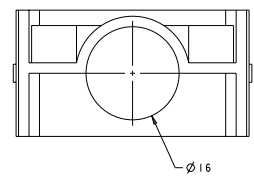
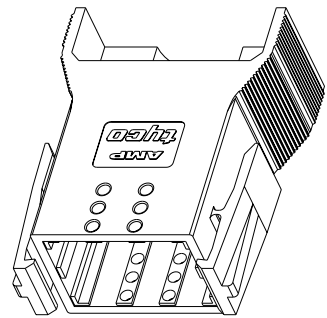
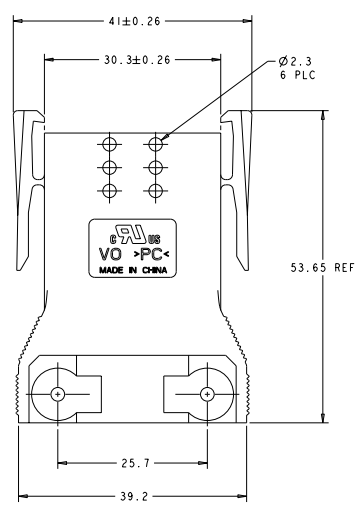


8 ALL DIMENSIONS IN MILLIMETERS 7 RECEIVED FOR FABRICATION 6 BY THIS ELECTRONICS CORPORATION. ALL RIGHTS RESERVED 5 4 3 2 1

REV. NO.		REVISIONS			
REV.	DATE	DESCRIPTION	BY	CHKD.	APP'D.
A		RELEASED			



1. MATERIAL: POLYCARBONATE 94-V0
2. COLOR: BLACK

1604084-1  
PART NUMBER

DATE: 01/20/2002		DRAWN BY: J. H. HARRIS		CHECKED BY: J. H. HARRIS		DATE: 01/20/2002		DRAWN BY: J. H. HARRIS		CHECKED BY: J. H. HARRIS	
PART NO: 1604084		REV: A		MATERIAL: POLYCARBONATE 94-V0		COLOR: BLACK		QUANTITY: 1000		UNIT: PCS	
DESCRIPTION: HOUSING, 2X3 POWER SERIES PLUG WITH LATCH		MFG: TYPHOON ELECTRONICS		MFG: TYPHOON ELECTRONICS		MFG: TYPHOON ELECTRONICS		MFG: TYPHOON ELECTRONICS		MFG: TYPHOON ELECTRONICS	
MATERIAL: POLYCARBONATE 94-V0		COLOR: BLACK		QUANTITY: 1000		UNIT: PCS		DATE: 01/20/2002		DRAWN BY: J. H. HARRIS	
MATERIAL: POLYCARBONATE 94-V0		COLOR: BLACK		QUANTITY: 1000		UNIT: PCS		DATE: 01/20/2002		DRAWN BY: J. H. HARRIS	

APP: 0001 REV: 01/20/2002  
PRO/ENGINEER DRAWING