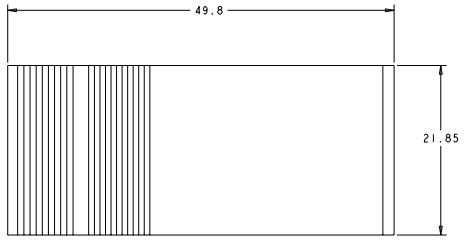
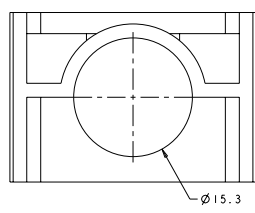
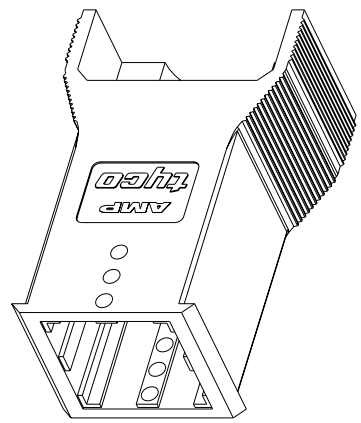
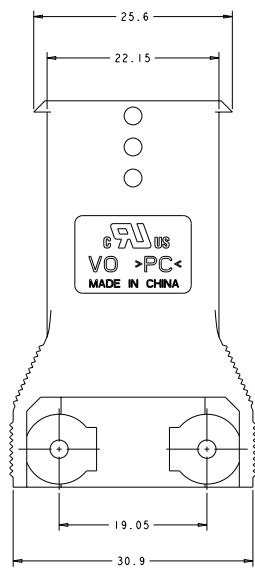


DATE SHOWN IN DIMENSIONS RECEIVED FOR FABRICATION  
 02/04/2002 BY TECH ELECTRONICS CORPORATION. ALL RIGHTS RESERVED

REV. NO.		REVISIONS		DATE	BY	CHK'D
0	A	RELEASED		2/04/02	SM	SM



1. MATERIAL: POLYCARBONATE 94-V0
2. COLOR: BLACK

1604080-1  
 PART NUMBER

DATE: 02/04/2002	BY: J. H. B. / J. H. B.	DATE: 02/04/2002	BY: J. H. B. / J. H. B.	DATE: 02/04/2002	BY: J. H. B. / J. H. B.
REV. NO.: 0	REV. NO.: 0	REV. NO.: 0	REV. NO.: 0	REV. NO.: 0	REV. NO.: 0
DESCRIPTION: HOUSING, 2X2 POWER PRODUCT PLUG WITHOUT LATCH	DESCRIPTION: HOUSING, 2X2 POWER PRODUCT PLUG WITHOUT LATCH	DESCRIPTION: HOUSING, 2X2 POWER PRODUCT PLUG WITHOUT LATCH	DESCRIPTION: HOUSING, 2X2 POWER PRODUCT PLUG WITHOUT LATCH	DESCRIPTION: HOUSING, 2X2 POWER PRODUCT PLUG WITHOUT LATCH	DESCRIPTION: HOUSING, 2X2 POWER PRODUCT PLUG WITHOUT LATCH
SCALE: 1:1	SCALE: 1:1	SCALE: 1:1	SCALE: 1:1	SCALE: 1:1	SCALE: 1:1
CUSTOMER DRAWING	CUSTOMER DRAWING	CUSTOMER DRAWING	CUSTOMER DRAWING	CUSTOMER DRAWING	CUSTOMER DRAWING

APP. 000 BY 3/04/2002  
 Proj/ENGINEER DRAWING