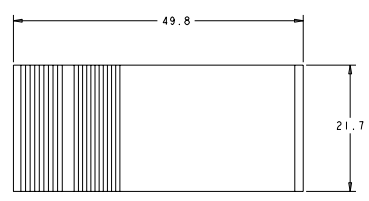
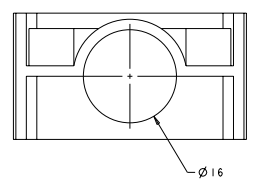
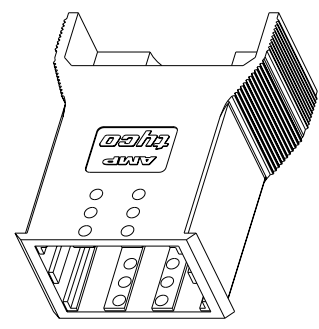
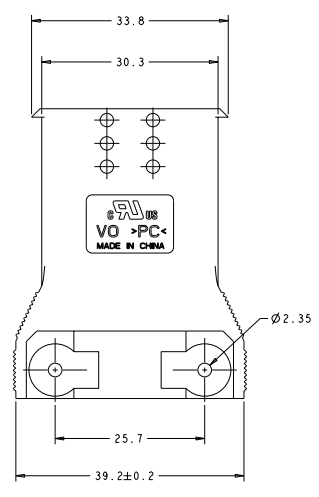


8 7 6 5 4 3 2 1
 ALL DIMENSIONS IN MILLIMETERS
 REVISIONS FOR FABRICATION
 © 2007-2008 BY TOSH ELECTRONICS CORPORATION. ALL RIGHTS RESERVED.

| REV | DATE | DESCRIPTION | BY | CHK | APP |
|-----|------|-------------|----|-----|-----|
| A | | RELEASED | | | |
| | | | | | |
| | | | | | |



1. MATERIAL: POLYCARBONATE 94-V0
2. COLOR: BLACK

1604081-1
 PART NUMBER

| | | | | | |
|--|--|--|---|--|--|
| DATE: 2008-01-29 TIME: 10:00 DRAWN: [Signature] CHECKED: [Signature] APPROVED: [Signature] | | DATE: 2008-01-29 TIME: 10:00 DRAWN: [Signature] CHECKED: [Signature] APPROVED: [Signature] | DATE: 2008-01-29 TIME: 10:00 DRAWN: [Signature] CHECKED: [Signature] APPROVED: [Signature] | DATE: 2008-01-29 TIME: 10:00 DRAWN: [Signature] CHECKED: [Signature] APPROVED: [Signature] | DATE: 2008-01-29 TIME: 10:00 DRAWN: [Signature] CHECKED: [Signature] APPROVED: [Signature] |
| HOUSING, 2X3 POWER SERIES PLUG WITHOUT LATCH | | | STATE: CA CITY: SAN JOSE ZIP: 95128 PHONE: (408) 737-7000 FAX: (408) 737-7001 E-MAIL: SALES@TOSH-ELECTRONICS.COM | | |

APP: 0001 BY: 0001
 Proj: ENGINEER DRAWING