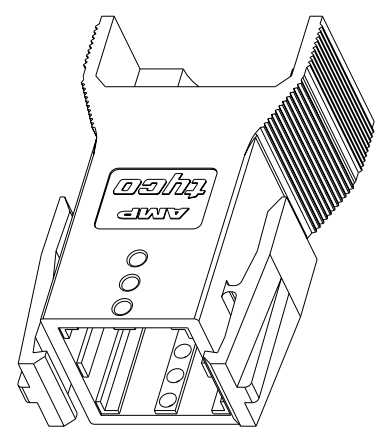
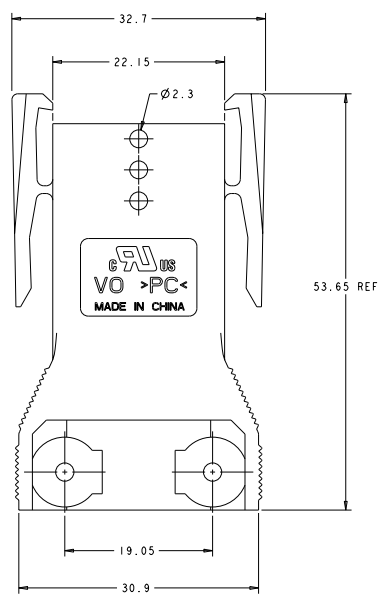
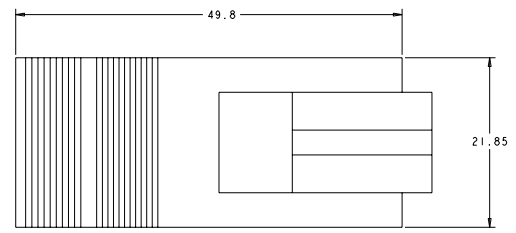
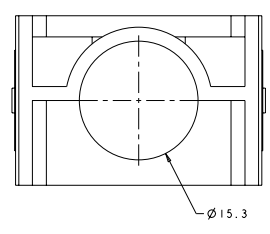


DATE SHOWN IN DIMENSIONS: REFERRED FOR PUBLICATION
 © 2004 AMP BY TYPE ELECTRONICS CORPORATION. ALL RIGHTS RESERVED.

REV. NO.		REVISIONS	
DATE	BY	DESCRIPTION	APP'D
0	A	RELEASED	SM SM



- 1. MATERIAL: POLYCARBONATE 94-V0
- 2. COLOR: BLACK



1604083-1
PART NUMBER

DATE: 01/20/04 TIME: 10:00 AM DRAWN BY: J. SMITH CHECKED BY: J. SMITH APPROVED BY: J. SMITH		DATE: 01/20/04 TIME: 10:00 AM DRAWN BY: J. SMITH CHECKED BY: J. SMITH APPROVED BY: J. SMITH		DATE: 01/20/04 TIME: 10:00 AM DRAWN BY: J. SMITH CHECKED BY: J. SMITH APPROVED BY: J. SMITH		DATE: 01/20/04 TIME: 10:00 AM DRAWN BY: J. SMITH CHECKED BY: J. SMITH APPROVED BY: J. SMITH		DATE: 01/20/04 TIME: 10:00 AM DRAWN BY: J. SMITH CHECKED BY: J. SMITH APPROVED BY: J. SMITH	
TITLE: HOUSING, 2X2 POWER SERIES PLUG WITH LATCH		PART NUMBER: 1604083-1		SCALE: 1:1		SHEET: 1 OF 1		DRAWN BY: J. SMITH	

AMP 900 BY 2004000
 PRO/ENGINEER DRAWING