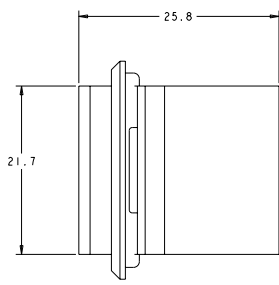
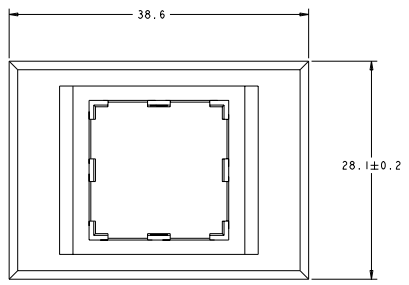
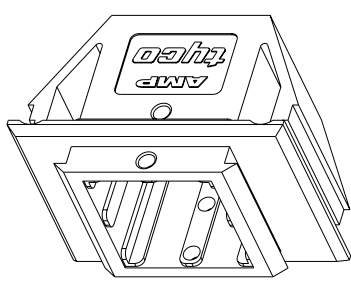
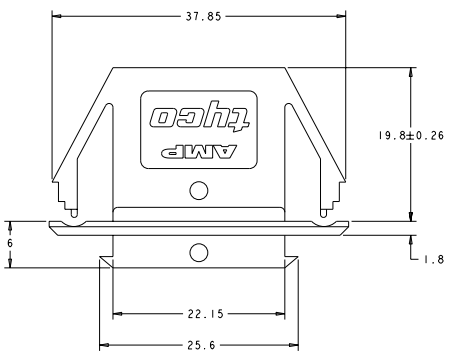


8 7 6 5 4 3 2 1
 ALL DIMENSIONS IN MILLIMETERS UNLESS OTHERWISE SPECIFIED
 REVISIONS FOR PUBLICATION
 © 2008 AMPERITE BY TECH ELECTRONICS CORPORATION. ALL RIGHTS RESERVED

REV. NO.		REVISIONS	
REV.	DATE	DESCRIPTION	BY
A		RELEASED	



- 1. MATERIAL: POLYCARBONATE 94-V0
- 2. COLOR: BLACK

1604077-1
 PART NUMBER

DATE: 01/20/08	BY: [Signature]	DATE: 01/20/08	BY: [Signature]	DATE: 01/20/08	BY: [Signature]	DATE: 01/20/08	BY: [Signature]	DATE: 01/20/08	BY: [Signature]
CUSTOMER DRAWING STATE: CA CASE CODE: 1604077 REVISION: A					HOUSING, 2X2 POWER SERIES RECEPTACLE 00778 ©-1604077 SCALE: 1:1 SHEET: 1 OF 1				