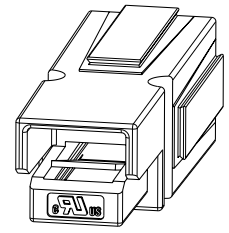
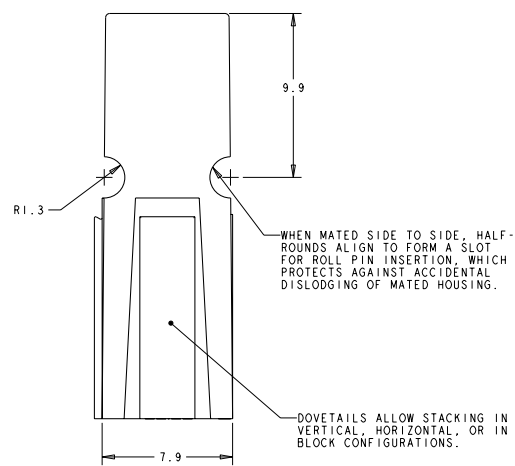
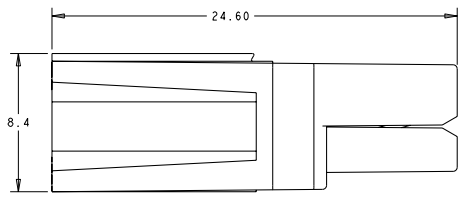
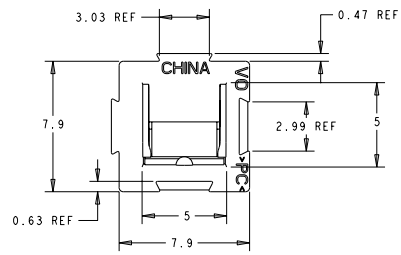


THIS DRAWING IS UNPUBLISHED. RELEASED FOR PUBLICATION. ALL RIGHTS RESERVED.

REVISIONS				
P	LY#	DESCRIPTION	DATE	BY
B2		REVISED PER ECO-11-004820	11MAR2011	RK HMA



1. SPRING/HOUSING ASSEMBLIES ARE UL AND CSA RECOGNIZED PER FILE TBD.
2. THESE HOUSING ASSEMBLIES ACCOMMODATE TE CONNECTIVITY CONTACTS FOR WIRE RANGES FROM #20 AWG TO #10 AWG.
3. HOUSING: POLYCARBONATE, UL94V0. SPRING: STAINLESS STEEL.



BROWN	1445957-9
GRAY	1445957-8
ORANGE	1445957-7
YELLOW	1445957-6
RED	1445957-5
GREEN	1445957-4
WHITE	1445957-3
BLACK	1445957-2
BLUE	1445957-1
COLOR	PART NUMBER

THIS PRODUCT HAS PASSED VERIFICATION AND AGENCY APPROVALS TESTING AND IS COMPONENT RECOGNIZED PER UL 1977 AND CSA 22.2. TE CONNECTIVITY PRODUCT QUALIFICATION TESTING IS NOT YET COMPLETE.

THIS DRAWING IS A CONTROLLED DOCUMENT.		OWN: B. HAYMAKER	06NOV01	TE Connectivity	
DIMENSIONS: mm		CHK: A. KETELSLEGER	25JAN02	ASSEMBLY, 15/30/45A SINGLE POLE POWER PRODUCT	
TOLERANCES UNLESS OTHERWISE SPECIFIED:		APPD: A. KETELSLEGER	25JAN02	RESTRICTED TO	
0 PLC	±0.13	PRODUCT SPEC		SHEET	CASE CODE
1 PLC	±0.13	APPLICATION SPEC		200779	1445957
2 PLC	±0.13	WEIGHT		SCALE	6:1
3 PLC	±0.13	CUSTOMER DRAWING		SHEET	1 OF 1
ANGLES	±0.1			REV	B2