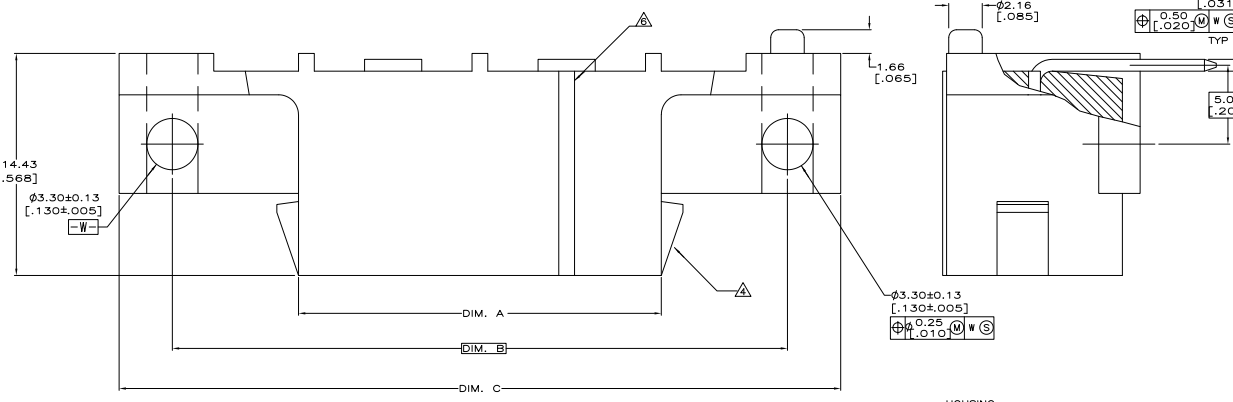
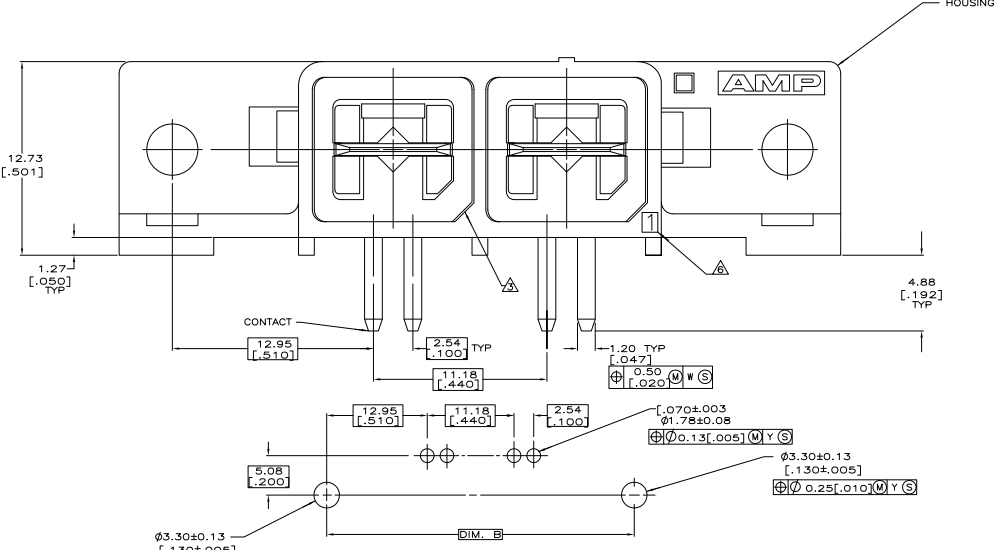


THIS DRAWING IS UNPUBLISHED  
 ALL RIGHTS RESERVED

| REV | DATE | DESCRIPTION               | BY     | CHK | APP |
|-----|------|---------------------------|--------|-----|-----|
| D1  |      | REVISED PER EDD-11-048820 | 11MM11 | RK  | HMR |



- ▲ MATERIAL: HOUSING-POLYPHTHALAMINE, BLACK, 94V-0. CONTACT- 2.54 mm [.000100] MINIMUM TIN PLATED COPPER.
- ▲ ALL DIMENSIONS ARE MAXIMUM UNLESS OTHERWISE SPECIFIED.
- ▲ POLARIZATION FEATURE TO MATING HOUSING.
- ▲ POSITIVE LATCHING OF RECEPTACLE ASSEMBLY TO PLUG HOUSING.
- 5. THESE ASSEMBLIES ARE UL RECOGNIZED AND CSA CERTIFIED.
- ▲ POSITION 1 INDICATOR.



SUGGESTED PC BOARD HOLE LAYOUT  
 SCALE 4:1

| POSITION | DIM. C         | DIM. B         | DIM. A        | PART NO  |
|----------|----------------|----------------|---------------|----------|
| 8        | 113.67 [4.475] | 106.68 [4.200] | 90.56 [3.565] | 556882-8 |
| 7        | 102.49 [4.035] | 95.50 [3.760]  | 79.38 [3.125] | -7       |
| 6        | 91.32 [3.595]  | 84.33 [3.320]  | 68.20 [2.685] | -6       |
| 5        | 80.14 [3.155]  | 73.15 [2.880]  | 57.03 [2.245] | -5       |
| 4        | 68.97 [2.715]  | 61.98 [2.440]  | 45.85 [1.805] | -4       |
| 3        | 57.79 [2.275]  | 50.80 [2.000]  | 34.68 [1.365] | -3       |
| 2        | 46.61 [1.835]  | 39.62 [1.560]  | 23.50 [0.925] | 556882-2 |

THIS DRAWING IS A CONTROLLED DOCUMENT. DATE: 11-30-11

DESIGNED BY: J. FOX DATE: 11-28-11  
 DRAWN BY: M. MILLER DATE: 11-28-11  
 CHECKED BY: M. MILLER DATE: 11-28-11  
 APPROVED BY: M. MILLER DATE: 11-28-11

TE Connectivity  
 RECEPTACLE ASSEMBLY,  
 RIGHT ANGLE, WTB, AMPINERGY

114-6044 SIZE: A1 DATE: 100779 Q=556882  
 CUSTOMER DRAWING