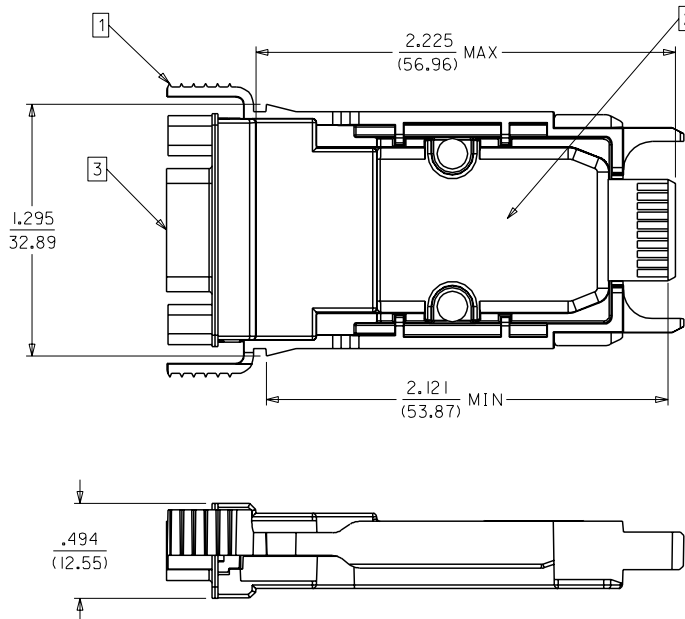
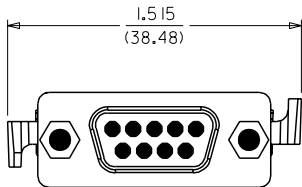
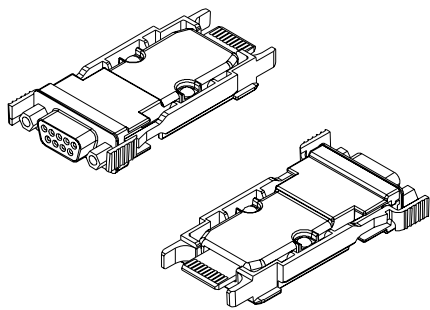


10 9 8 7 6 73086 4 3 2 73086



MATERIALS:

- 1. GUIDE TRAY - GLASS FILLED POLYBUTYLENE TEREPHTHALATE, STATICALLY DISSIPATIVE, 94V-0, BLACK
- 2. SHIELD - ZINC DIECAST, CLEAR CHROMATE FINISH
- 3. DB-9 RECEPTACLE
SHELL: STEEL WITH TIN PLATE
INSULATOR: GLASS FILLED PBT, UL94V-0
CONTACTS: PHOSPHOR BRONZE, 30 MICRO GOLD OVER NICKEL UNDERPLATE
- 4. ADAPTER CAN BE STACKED SIDE TO SIDE ON A 1.5 INCH MINIMUM SPACING.

WITHOUT SERIAL IDENTIFICATION	73086-0001
DESCRIPTION	PART NUMBER
	REVISE ONLY ON CAD SYSTEM

MFC. SH. REV.	D	LIT. BY	RKN	CHK'D. BY	DLD	FILE NAME	S73086X1 DGN	SHEET NO. 1 OF 1	DATE 98/05/20	TITLE	GBIC ADAPTER COPPER, DB-9, PASSIVE
PART NO.		SCALE		THIS DRAWING CONTAINS INFORMATION THAT IS PROPRIETARY TO MOLEX INC. AND SHOULD NOT BE USED WITHOUT WRITTEN PERMISSION.		DIV. D		SIZE B		NO P.S.	

10 9 8 7 6 5 4 3 2 1 NO P.S.