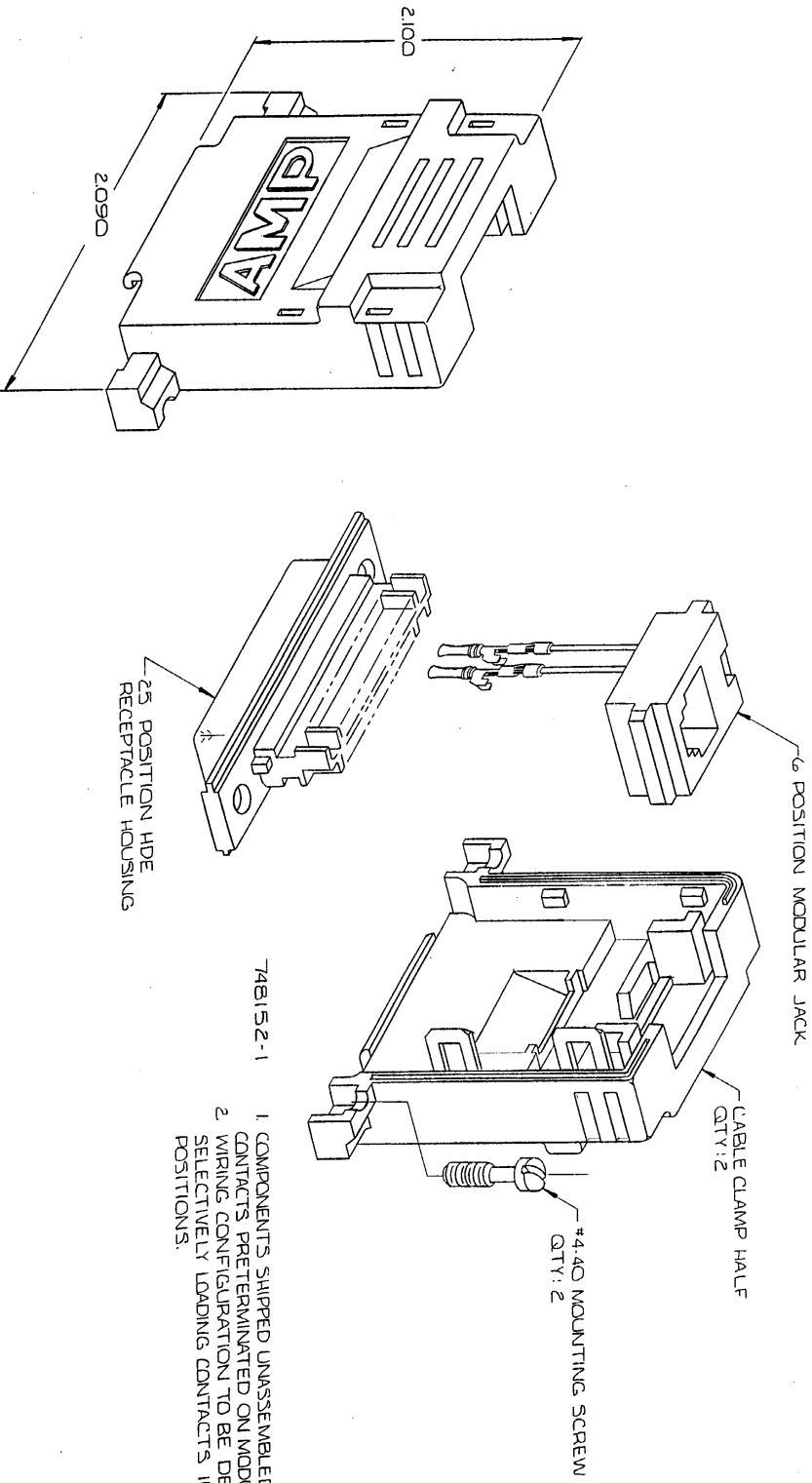


DRAWING MADE IN THIRD ANGLE PROJECTION
 THIS DRAWING IS UNPUBLISHED. RELEASED FOR PUBLICATION
 © COPYRIGHT 19 BY AMP INCORPORATED, HARRISBURG, PA. ALL INTERNATIONAL RIGHTS RESERVED. AMP PRODUCTS MAY BE COVERED BY U.S. AND FOREIGN PATENTS AND/OR PATENTS PENDING.

| REVISIONS | | DATE | APPROVED |
|-----------|----------|----------|-------------|
| 0 | RELEASED | 11/22/85 | [Signature] |
| 1 | REVISED | 11/22/85 | [Signature] |



748152-1
 1. COMPONENTS SHIPPED UNASSEMBLED IN KIT FORM WITH CONTACTS PRETERMINATED ON MODULAR JACK WIRES.
 2. WIRING CONFIGURATION TO BE DETERMINED BY USER, SELECTIVELY LOADING CONTACTS INTO DESIRED CIRCUIT POSITIONS.

| | | | |
|---|--|--------------------------------|--|
| UNLESS OTHERWISE SPECIFIED DIMENSIONS ARE IN INCHES. TOLERANCES ON: DECIMALS ± .010 ANGLES | | CONTRACT NO. | |
| MATERIAL: MOLDED PARTS: FLAME RETARDANT BLACK THERMOPLASTIC; SCREWS: STEEL; FINISH: ZINC PLATED | | DR: C. ROCHON 11/11/85 | |
| DESIGN APPD: [Signature] | | CHK: [Signature] 11/12/85 | |
| OTHER APPD: | | APPROVED: [Signature] 11/12/85 | |
| NAME: RS 232 / 6 POSITION MODULAR JACK INTERFACE CONNECTOR KIT, AMPLIMITE | | PART NO. | |
| SIZE: C | | FSCM NO: 00779 | |
| SCALE: NTS | | DRAWING NO: 748152 | |
| SHEET | | SHEET | |

AMP 1471-B REV 2-81

CUSTOMER DRAWING

748152