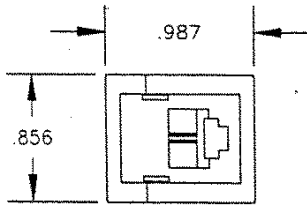
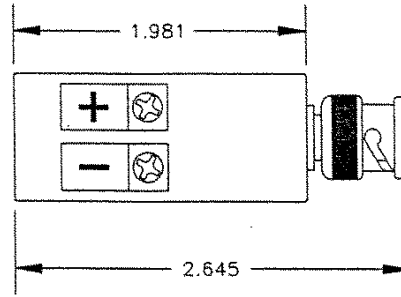


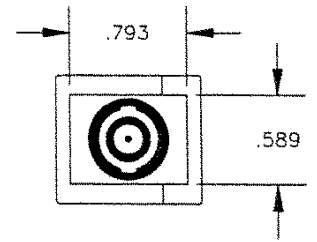
FRONT VIEW



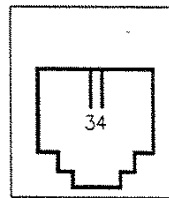
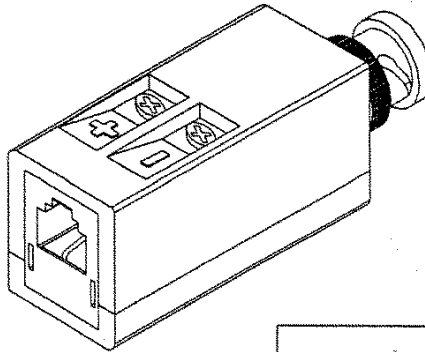
TOP VIEW



BACK VIEW



PERSPECTIVE VIEW



BLOCK HOUSING : ABS MOLDING COMPOUND PA-767
94V-0 ULE. 46920

COMBED JACK HOUSING : 94V-0 PLASTIC

CONTACTS : PHOSPHOR BRONZE, 50μ INCHES
GOLD OVER NICKEL PLATE



DESCRIPTION: CONNECTOR GENDER MALE BNC, RJ11 JACK 6P2C	APRVD BY: S. KERR	DWG. NO. D.S. 1117	REV.	DWG. BY: HAI NGUYEN
COLOR: BLACK				DATE: 03/31/93
MATERIAL:				SCALE: 1
PART NO. : AMK-0013				SHEET 1 OF 1