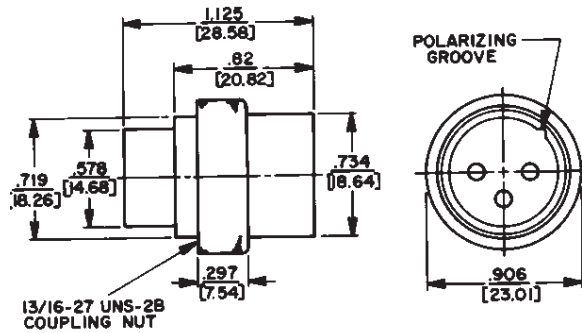


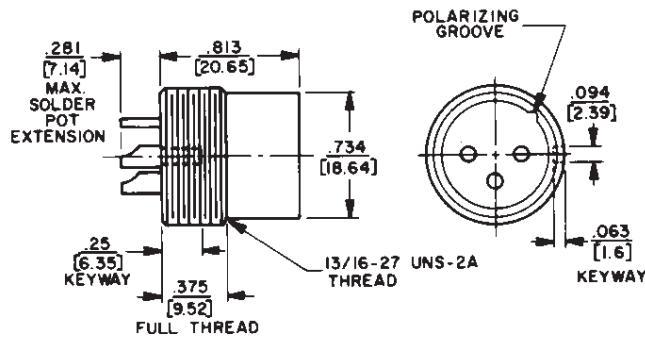
SWITCHCRAFT, INC. 5555 N. Elston Ave.
Chicago, IL 60630 • 773 792-2700 • FAX: 773 792-2129
www.switchcraft.com

Q-G® ADAPTERS, ACCESSORIES

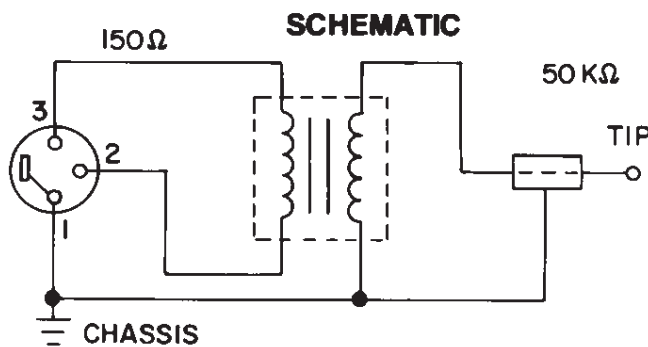
SERIES L(*)MN



SERIES M(*)M



Z MATCHING TRANSFORMERS



DIMENSIONS ARE FOR REFERENCE ONLY

Inch
(mm)