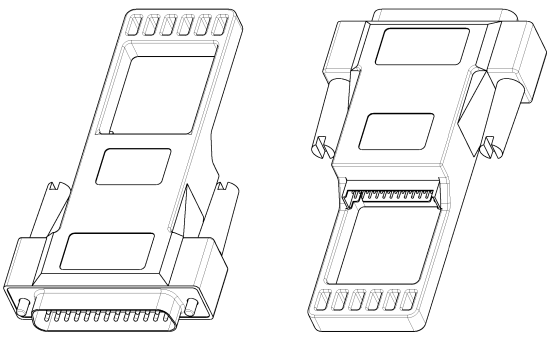
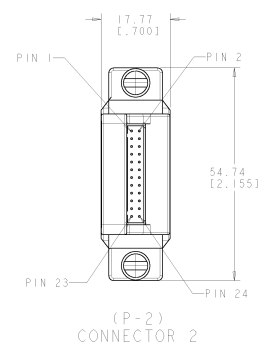
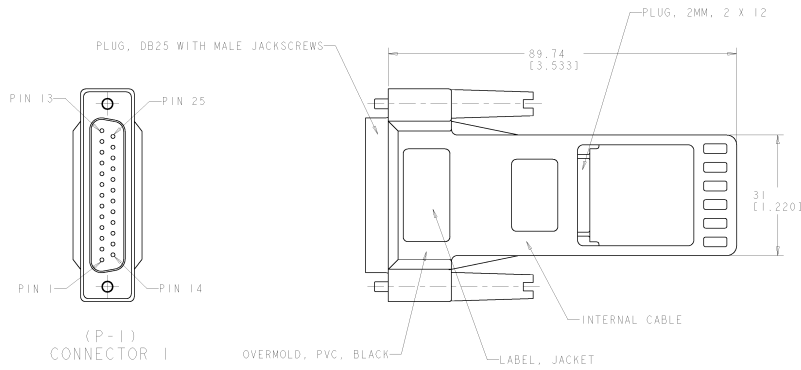


REV. NO.		REVISIONS			
REV.	NO.	DATE	DESCRIPTION	BY	CHKD.
1	00				
2					
3					



- △ ADAPTOR SHALL BE WIRED PER WIRING TABLE. SEE TABLE.
- △ PIN 1 OF CONNECTOR 1 NOT CONNECTED.
- 3. ONE ADAPTOR PER HEAT SEALED BAG (BAG NOT SHOWN).



△

WIRING TABLE	
DB25 P1	2.0mm P2
13	1
25	2
12	3
24	4
11	5
23	6
10	7
22	8
9	9
21	10
8	11
20	12
7	13
19	14
6	15
18	16
5	17
17	18
4	19
16	20
3	21
15	22
2	23
14	24
1	25

△

(P-1)
CONNECTOR 1

(P-2)
CONNECTOR 2

PART NUMBER: [blank] DIMENSIONS: [blank]		REV. NO.: [blank] DATE: [blank]		TITLE: [blank]	
MATERIAL: [blank]		FINISH: [blank]		QUANTITY: [blank]	
CUSTOMER DRAWING: [blank]		PART: [blank]		REV: [blank]	