

DRAWING MADE IN THIRD ANGLE PROJECTION

3

2

1

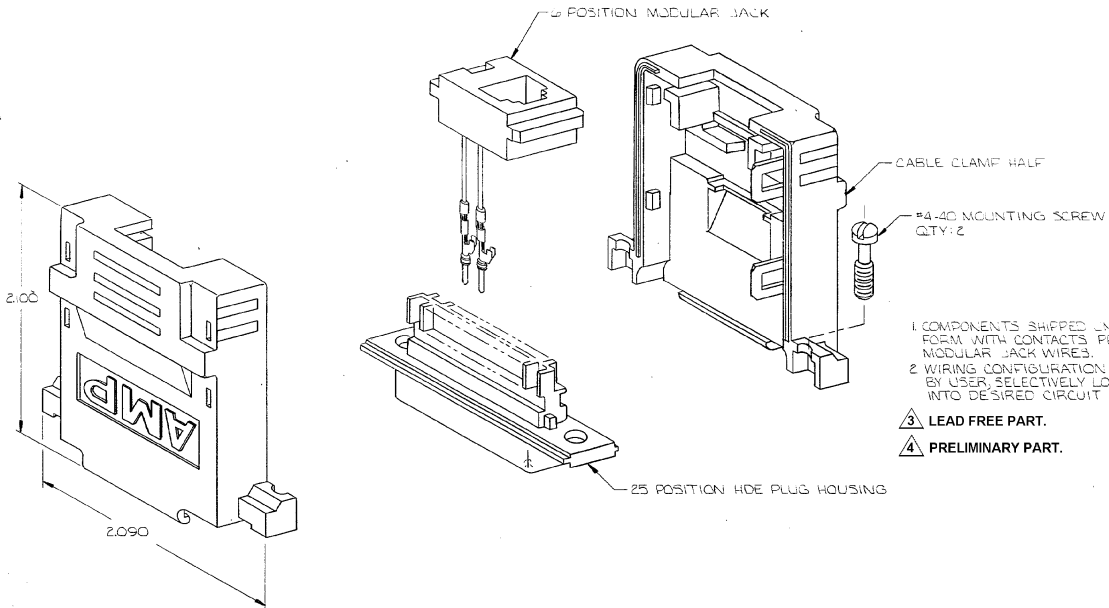
LOC 81 DIST 25

THIS DRAWING IS UNPUBLISHED. RELEASED FOR PUBLICATION . 19
 © COPYRIGHT 19 BY AMP INCORPORATED, HARRISBURG, PA. ALL INTERNATIONAL RIGHTS RESERVED. AMP PRODUCTS MAY BE COVERED BY U.S. AND FOREIGN PATENTS AND/OR PATENTS PENDING.

REVISIONS					
P	F	ZONE/LTR	DESCRIPTION	DATE	APPROVED
		B	REV PER 0G3C-0209-03	22JUL02	JO

D
C
B
A

D
C
B
A



- 1 COMPONENTS SHIPPED UNASSEMBLED IN KIT FORM WITH CONTACTS PRETERMINATED ON MODULAR JACK WIRES.
- 2 WIRING CONFIGURATION TO BE DETERMINED BY USER, SELECTIVELY LOADING CONTACTS INTO DESIRED CIRCUIT POSITIONS.
- 3 LEAD FREE PART.
- 4 PRELIMINARY PART.

748100-2
748100-1
PART NO

UNLESS OTHERWISE SPECIFIED DIMENSIONS ARE IN INCHES. TOLERANCES ON: DECIMALS ± .010 ANGLES	CONTRACT NO	AMP INCORPORATED Harrisburg, Pa. 17105
	DR <i>U. Tolson 8/2/85</i>	
MATERIAL MOLDED PARTS: FLAME RETARDANT BLACK THERMOPLASTIC SCREWS: STEEL	CHK <i>W. Tolson 9/18/85</i>	NAME RS 232 / 6 POS. MODULAR JACK INTERFACE CONNECTOR KIT, AMPLEWHITE
FINISH SCREWS: ZINC PLATED	APPD <i>V. Kimmer 9/18/85</i>	SIZE C
	DSGN APPD	FSCM NO 00779
	OTHER APPD	DRAWING NO 748100
		SCALE NTS
		SHEET

AMP 1471-6 REV 2-81

CUSTOMER DRAWING