

VS-BH-M12FSD-RJ45/90

Order No.: 1657261

<http://eshop.phoenixcontact.de/phoenix/treeViewClick.do?UID=1657261>

Control cabinet feed-through, M12, 4-pos., D-coded on RJ45 socket, socket input 90°, IP65/67

PROFI NET Ethernet

Commercial data	
EAN	4046356100083
Pack	1 pcs.
Customs tariff	85366990
Weight/Piece	0.0365 KG
Catalog page information	Page 197 (PC-2009)

Product notes

WEEE/RoHS-compliant since:
10/14/2005

<http://www.download.phoenixcontact.com>
Please note that the data given here has been taken from the online catalog. For comprehensive information and data, please refer to the user documentation. The General Terms and Conditions of Use apply to Internet downloads.

Technical data**Mechanical characteristics**

Number of positions	4
Color	black
Ambient temperature (operation)	-25 °C ... 85 °C

Material data

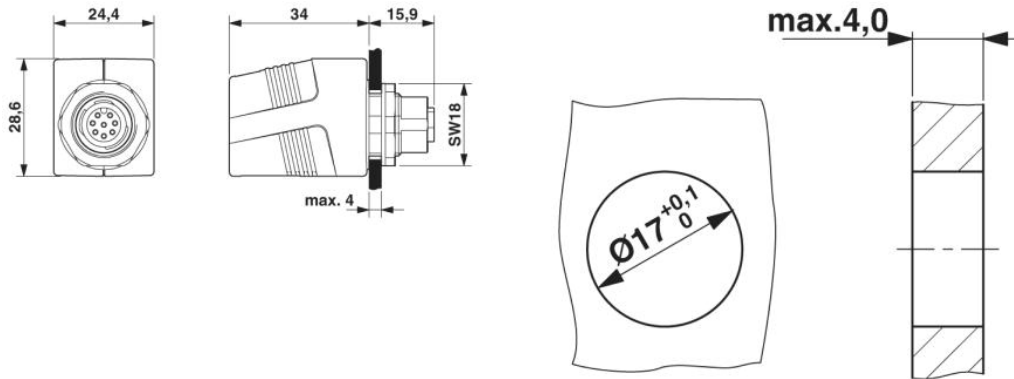
Inflammability class acc. to UL 94	V0
Housing material	PA
Contact material	Copper alloy
Degree of protection	IP65/67

Electrical characteristics

Number of positions	4
Transmission characteristics (category)	CAT5 (IEC 11801:2002), CAT5e (TIA 568B:2001)
Rated current	1 A

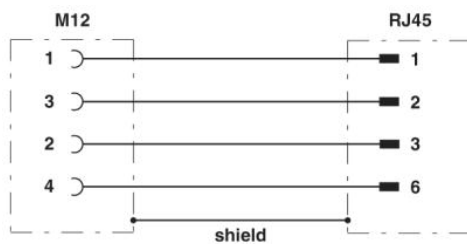
Diagrams/Drawings

Dimensioned drawing



Panel cutout

Circuit diagram



Address

PHOENIX CONTACT Inc., USA
586 Fulling Mill Road
Middletown, PA 17057, USA
Phone (800) 888-7388
Fax (717) 944-1625
<http://www.phoenixcon.com>



© 2010 Phoenix Contact
Technical modifications reserved;