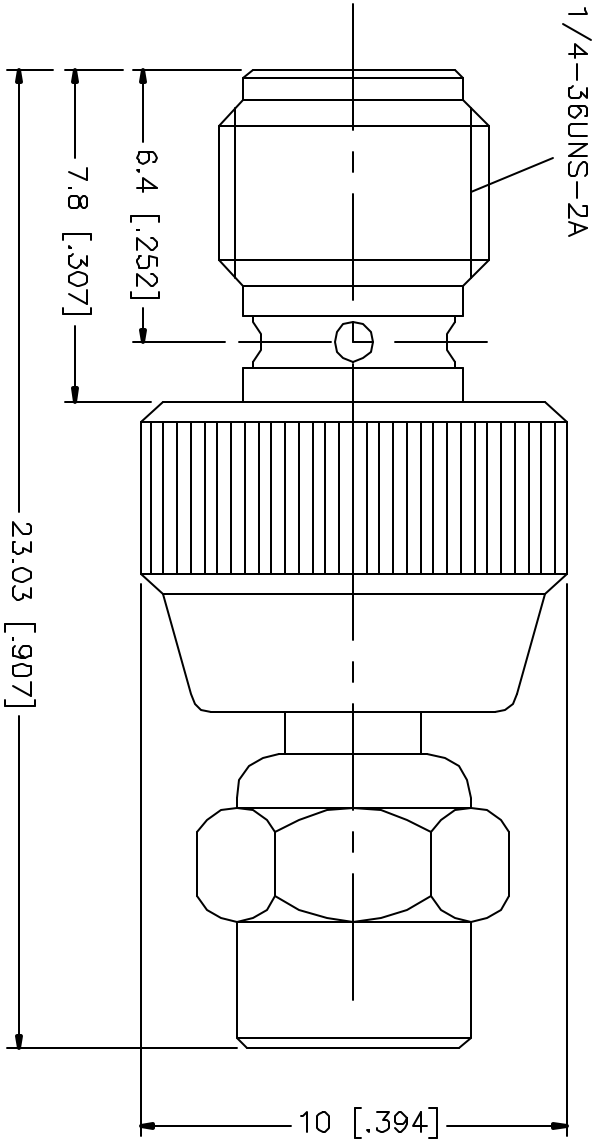


REV.	DATE	DESCRIPTION
NC	10/31/01	INITIAL RELEASE



8				UNLESS OTHERWISE SPECIFIED DIMENSIONS ARE IN MILLIMETERS	APPROVALS	DATE	comnex Connector Corporation SMA JACK TO SMC PLUG ADAPTOR			
7				DIMENSIONS IN [] ARE IN INCHES FOR CUSTOMER REFERENCE ONLY	DRAWN	10/31/01				
6				UNLESS OTHERWISE SPECIFIED TOLERANCES FOR MILLIMETERS ARE	CHECKED					
5				0.5-6 = ± 0.2	ISSUED					
4				6-30 = ± 0.4						
3	CONTACT PIN	BER COPPER	GOLD	30-120 = ± 0.6			SIZE	FORM NO	DWG NO	REV.
2	INSULATOR	TEFLON	NATURAL	120-315 = ± 1			A	99001	242175.DWG	NC
1	BODY	BRASS	GOLD	315-1000 = ± 1.6			SCALE	NA	PART NO.	
	DESCRIPTION	MATERIAL	FINISH	1000-2000 = ± 2.4			DO NOT SCALE DRAWING			SHEET
										1 OF 1