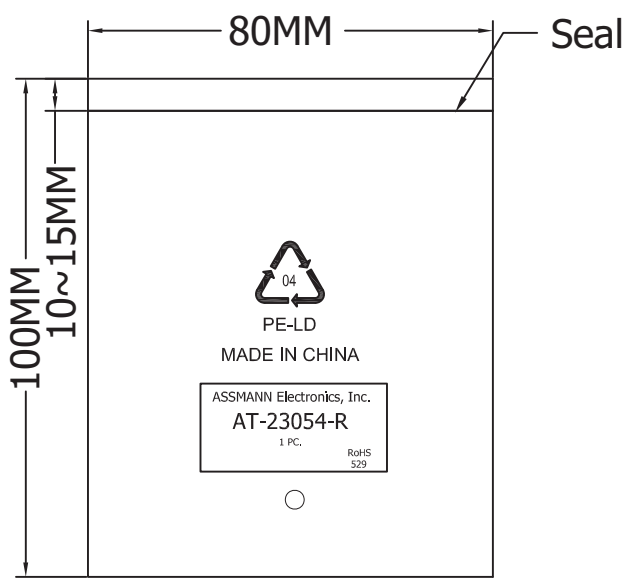
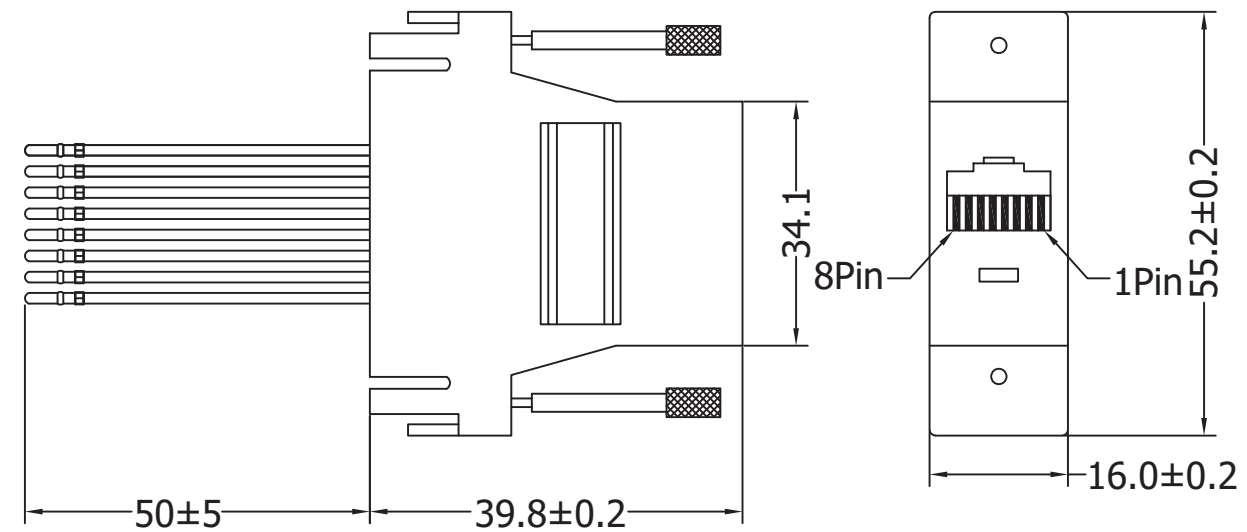
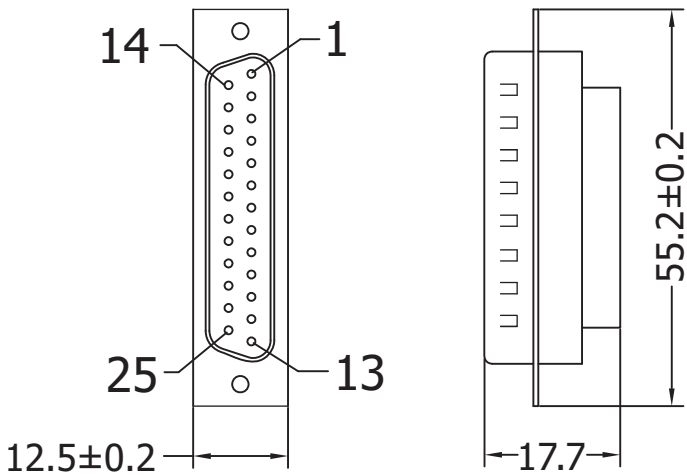
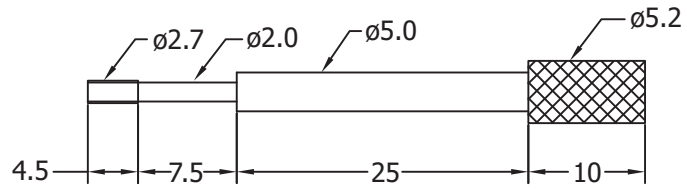


P1



04
PE-LD
MADE IN CHINA
ASSMANN Electronics, Inc.
AT-23054-R
1 PC.
RoHS
529

1PCS/PE Bag



Pin Assignment

P1	P2
Blue	1
Orange	2
Black	3
Red	4
Green	5
Yellow	6
Brown	7
White	8

P2

Material:

- Cable: UL 26AWG, 60MM
- Blue, Orange, Black, Red, Green, Yellow, Brown, White
- P1 Connector: D-Sub 25-Pin Male
- Crimp Type
- Black Insulation
- P2 Connector: RJ45 8P8C Female 3μ"
- Color: Beige
- PVC Housing
- Thumbscrew: 5*37MM

⊕ = Assmann logo



ITEM NO.
AT-23054-R

TITLE
D-Sub Modular Adapter
25-Pin Male <=> RJ45 Female, Beige

ASSMANN
Electronics, Inc.

1840 W. Drake Drive, Suite 101 • Tempe, AZ 85283
Toll Free: 1-877-277-6266 • Email: info@usa-assmann.com

THIS DRAWING IS UNPUBLISHED
©Copyright 2010 by Assmann Electronic Components
All International Rights Reserved