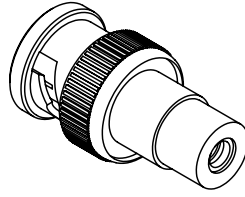
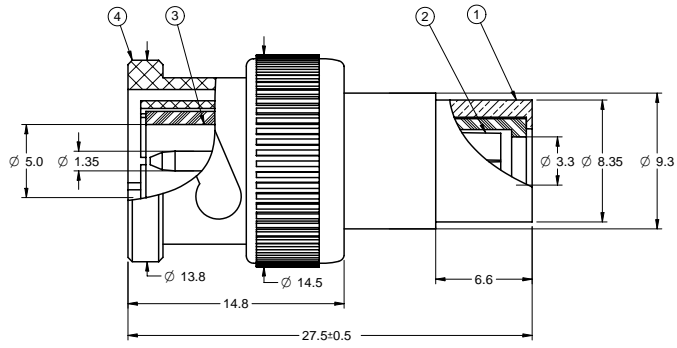
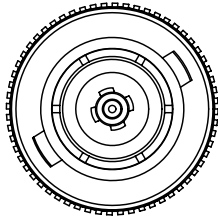


5	4	3	2	1
PART NUMBER	ITEM ① BODY	ITEM ② CONTACT	ITEM ③ INSULATOR	ITEM ④ NUT
25-7510	BRASS NICKEL PLATED	BRASS GOLD PLATED	DELTRIN	ZINC NICKEL PLATED

DRAWING NO. <b>25-7510</b>	
<b>REVISIONS</b>	
A	RELEASE FOR QUOTATION
	03-28-06
B	ADD NOTE 4&5
	11-15-06



**NOTES:**

- ELECTRICAL SPECIFICATIONS**  
 IMPEDANCE: 50 OHMS NOMINAL  
 FREQUENCY RANGE: 0-4 GHz  
 WORKING VOLTAGE: 500 Vrms MAX AT SEA LEVEL  
 DIELECTRIC WITHSTANDING VOLTAGE: 1500 vrms AT SEA LEVEL  
 CORONA LEVEL: 375 VOLTS MINIMUM AT 70,000 FEET  
 CONTACT RESISTANCE: OUTER-0.2 MILLIOHMS MAXIMUM  
 CENTER-2.1 MILLIOHMS MAXIMUM  
 INSULATION RESISTANCE: 5000 MEGOHMS MINIMUM
- MECHANICAL SPECIFICATIONS**  
 DURABILITY: 500 CYCLES MIN
- ENVIRONMENTAL SPECIFICATIONS**  
 RECOMMENDED TEMPERATURE RANGE: -55 °C TO +85 °C  
 MOISTURE RESISTANCE: MIL-STD-202
- PRODUCT SHOULD BE RoHS COMPLIANCE
- PACKAGING REQUIREMENT FOLLOWS ENGINEERING DOCUMENT P/N 836-4020001XX

THIS DRAWING TO BE INTERPRETED PER ANSI Y 14.5M - 1994

**COMPANY CONFIDENTIAL**

TOLERANCE UNLESS OTHERWISE SPECIFIED	DRAWN BY <b>BETTY YU</b>	DATE 11-14-06	<b>Connectivity Solutions</b>
DECIMALS	CHECKED BY <b>IVON W</b>	DATE 11-14-06	
X	APPROVED BY <b>THOMAS</b>	DATE 11-14-06	
X.X			
X.XX			
ANGLES	U/M	mm	
THIS DRAWING WAS PRODUCED BY COMPUTER. DO NOT SCALE DRAWING OR UPDATE MANUALLY.			TITLE <b>ADAPTER RCA JACK TO BNC PLUG</b>
SHEET 1 OF 1	DRAWING NO. <b>25-7510</b>	SIZE C	

5

4

3

2

1