

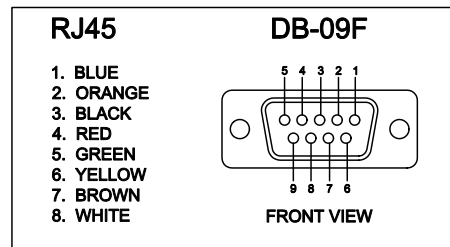
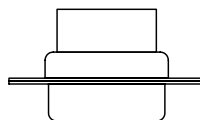
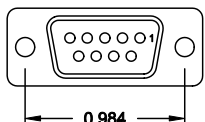
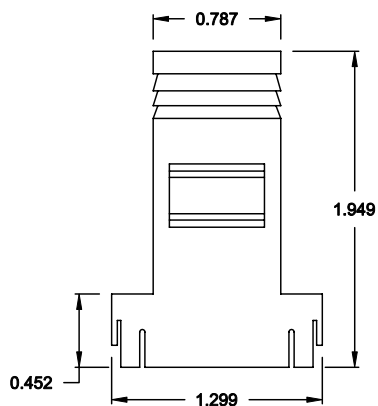
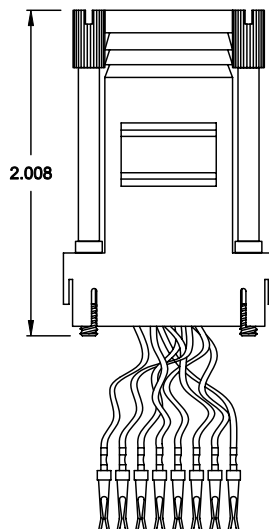
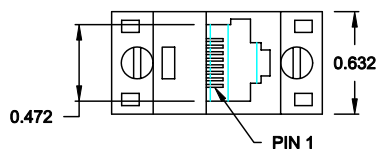
DESCRIPTION: RJ-45 TO 9-POSITION FEMALE D-SUB - PLASTIC & METALIZED PLASTIC

MATERIAL:

HOOD: ABS UL 94V-HB

RJADK09S70808Y1

SERIES _____
 POSITIONS 09 _____
 GENDER S = FEMALE _____
 D-SUB TERMINALS 7 = CRIMP & POKE (CONTACTS PRE-CRIMPED) _____
 MODULAR POSITIONS 08 _____
 MODULAR POSITIONS LOADED 08 _____
 COLOR _____
 1 = BLACK
 2 = METALIZED (SHIELD RATING: 60dB)
 3 = GRAY
 D-SUB CONTACT PLATING _____
 1 = GOLD FLASH



DO NOT SCALE FROM DRAWING

RoHS COMPLIANT

	THESE DRAWINGS AND SPECIFICATIONS ARE THE PROPERTY OF NorComp AND SHALL NOT BE REPRODUCED, COPIED OR USED AS THE BASIS FOR THE MANUFACTURE OF SALE OF APPARATUS WITHOUT WRITTEN PERMISSION.		DRAWN: C. SMITH	DATE: 05-17-07
	<h1>NorComp</h1>		CHECKED:	DATE:
SCALE: N.T.S.			SHEET 1 OF 1	REV 1