

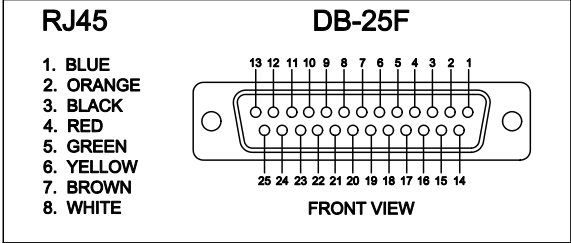
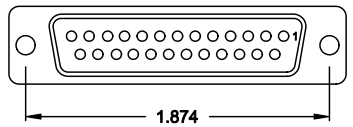
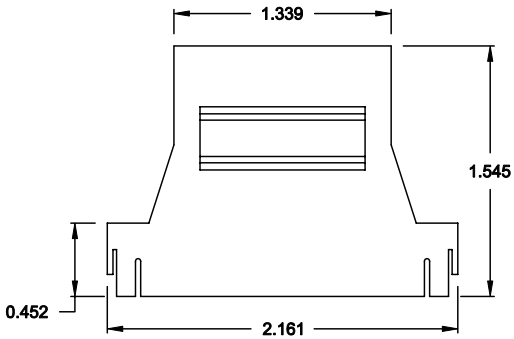
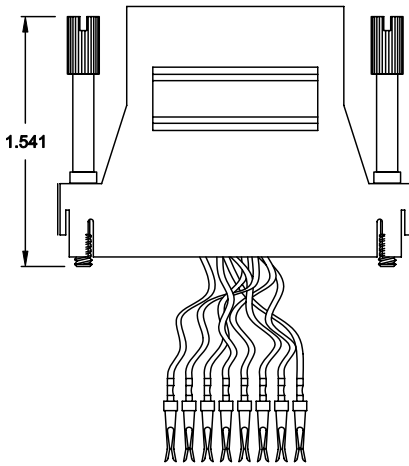
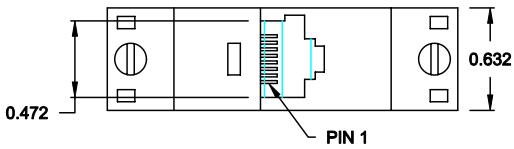
DESCRIPTION: RJ-45 TO 25-POSITION FEMALE D-SUB - PLASTIC & METALIZED PLASTIC

**MATERIAL:**

HOOD: ABS UL 94V-HB

**RJADK25S70808Y1**

- SERIES \_\_\_\_\_
- POSITIONS \_\_\_\_\_
- 25 \_\_\_\_\_
- GENDER \_\_\_\_\_
- S = FEMALE \_\_\_\_\_
- D-SUB TERMINALS \_\_\_\_\_
- 7 = CRIMP & POKE (CONTACTS PRE-CRIMPED) \_\_\_\_\_
- MODULAR POSITIONS \_\_\_\_\_
- 08 \_\_\_\_\_
- MODULAR POSITIONS LOADED \_\_\_\_\_
- 08 \_\_\_\_\_
- COLOR \_\_\_\_\_
- 1 = BLACK \_\_\_\_\_
- 2 = METALIZED (SHIELD RATING: 60dB) \_\_\_\_\_
- 3 = GRAY \_\_\_\_\_
- D-SUB CONTACT PLATING \_\_\_\_\_
- 1 = GOLD FLASH \_\_\_\_\_



DO NOT SCALE FROM DRAWING

RoHS COMPLIANT

	THESE DRAWINGS AND SPECIFICATIONS ARE THE PROPERTY OF NorComp AND SHALL NOT BE REPRODUCED, COPIED OR USED AS THE BASIS FOR THE MANUFACTURE OF SALE OF APPARATUS WITHOUT WRITTEN PERMISSION.		DRAWN: <b>C. SMITH</b>	DATE: <b>05-14-07</b>
			CHECKED:	DATE:
<h1>NorComp</h1>		SCALE: <b>N.T.S.</b>	SHEET <b>1</b> OF <b>1</b>	REV <b>1</b>
		DWG NO. <b>RJADK25S70808Y1</b>		