

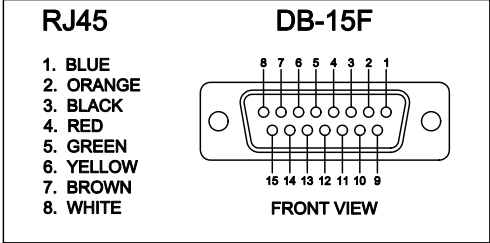
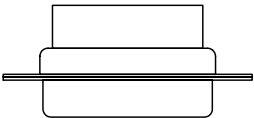
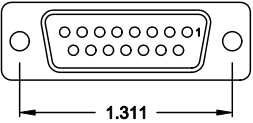
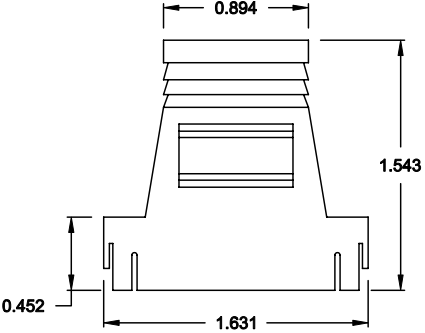
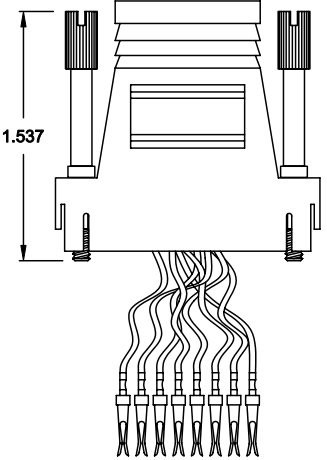
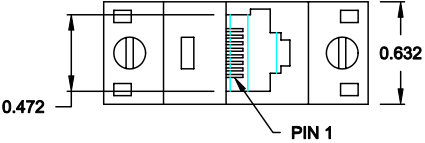
DESCRIPTION: RJ-45 TO 15-POSITION FEMALE D-SUB - PLASTIC & METALIZED PLASTIC

MATERIAL:

HOOD: ABS UL 94V-HB

RJADK15S70808Y1

SERIES _____
 POSITIONS _____
 15 _____
 GENDER _____
 S = FEMALE _____
 D-SUB TERMINALS _____
 7 = CRIMP & POKE (CONTACTS PRE-CRIMPED) _____
 MODULAR POSITIONS _____
 08 _____
 MODULAR POSITIONS LOADED _____
 08 _____
 COLOR _____
 1 = BLACK _____
 2 = METALIZED (SHIELD RATING: 60dB) _____
 3 = GRAY _____
 D-SUB CONTACT PLATING _____
 1 = GOLD FLASH _____



DO NOT SCALE FROM DRAWING

RoHS COMPLIANT

	THESE DRAWINGS AND SPECIFICATIONS ARE THE PROPERTY OF NorComp AND SHALL NOT BE REPRODUCED, COPIED OR USED AS THE BASIS FOR THE MANUFACTURE OF SALE OF APPARATUS WITHOUT WRITTEN PERMISSION.		DRAWN: C. SMITH	DATE: 05-15-07
			CHECKED:	DATE:
<h1>NorComp</h1>		SCALE: N.T.S.	SHEET 1 OF 1	REV 1
		DWG NO. RJADK15S70808Y1		