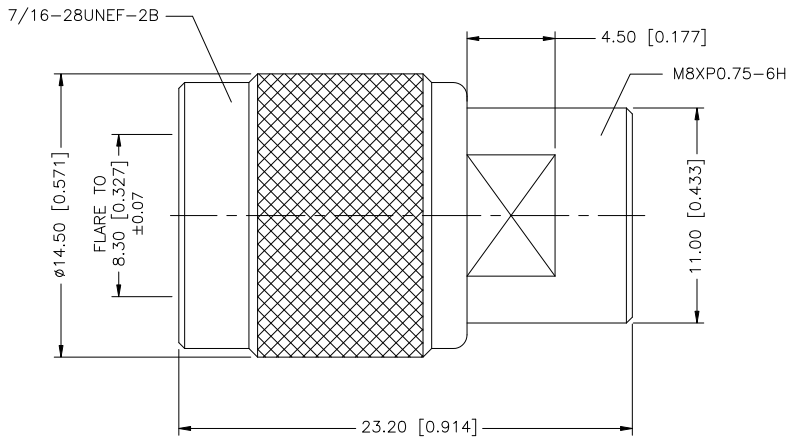


| REV. | DATE     | ECR NO. | DESCRIPTION     |
|------|----------|---------|-----------------|
| NC   | 11/22/08 | -       | INITIAL RELEASE |



|   |             |          |         | UNLESS OTHERWISE SPECIFIED DIMENSIONS ARE IN MILLIMETERS. DIMENSIONS IN [ ] ARE IN INCHES AND FOR CUSTOMER REFERENCE ONLY. | APPROVALS  | DATE   | <b>Amphenol Connex</b> |                           |            |          |          |   |   |       |    |
|---|-------------|----------|---------|--|--|--------|------------------------|---------------------------|------------|----------|----------|---|---|-------|----|
| 8 |             |          |         |  | DRAWN  | G.R.S. |                        |                           |            |          | 11/22/08 | PART DESCRIPTION<br><b>FME MALE TO TNC MALE ADAPTER</b> |   |       |    |
| 7 |             |          |         |  | CHECKED  |        |                        | PART NO.<br><b>192105</b> |            |          |          |   |   |       |    |
| 6 |             |          |         |  | ISSUED   |        |                        |                           |            |          |          | DWG. NO. 192105.DWG                                     |   |       |    |
| 5 |             |          |         |  | SHEET  | 1 OF 1 |                        | REV. NC                   | SIZE A     | SCALE NA |          |   |   |       |    |
| 4 | CONTACT PIN | BRASS    | GOLD    | 1  | UNLESS OTHERWISE SPECIFIED TOLERANCES FOR MILLIMETERS ARE:<br>0.5 - 8mm ± 0.20mm<br>8 - 30mm ± 0.40mm<br>30 - 120mm ± 0.50mm<br><br>UNLESS OTHERWISE SPECIFIED TOLERANCES FOR INCHES ARE:<br>.020 - .315 ± 0.007"<br>.315 - 1.180 ± 0.015"<br>1.180 - 4.724 ± 0.020" |        |                        |                           |            |          |          |   |   |       |    |
| 3 | INSULATOR   | PTFE     | NATURAL | 1  |  |        |                        |                           |            |          |          |   |   |       |    |
| 2 | BODY        | BRASS    | NICKEL  | 1  | DO NOT SCALE DRAWING   |        |                        |                           |            |          |          |   |   |       |    |
| 1 | SHELL       | BRASS    | NICKEL  | 1  |  |        |                        |                           |            |          |          |   |   |       |    |
|   | DESCRIPTION | MATERIAL | FINISH  | QTY  | CAD FILE   |        | C:/192/192105.DWG      | DWG. NO.                  | 192105.DWG | REV.     | NC       | SIZE  | A | SCALE | NA |